

Macchina

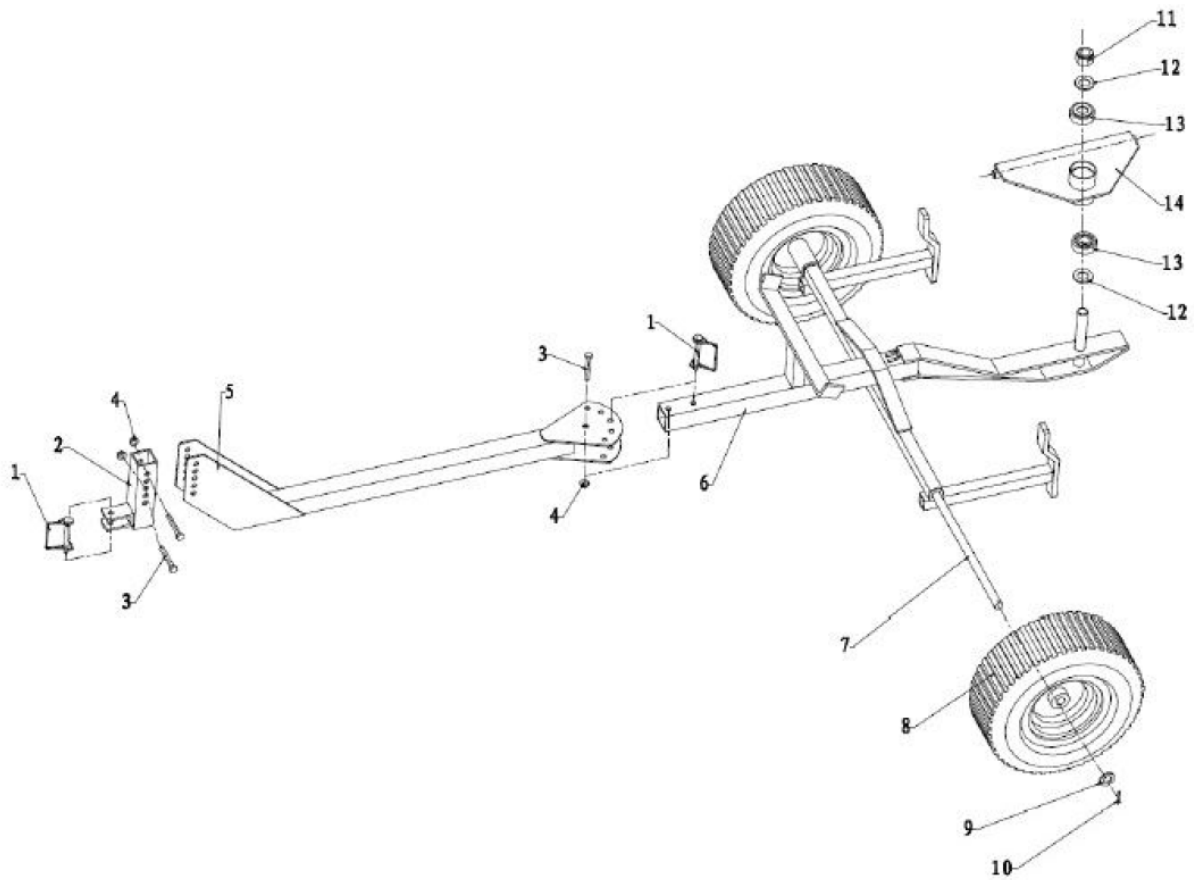
D600



Sezione

1

D600_part1



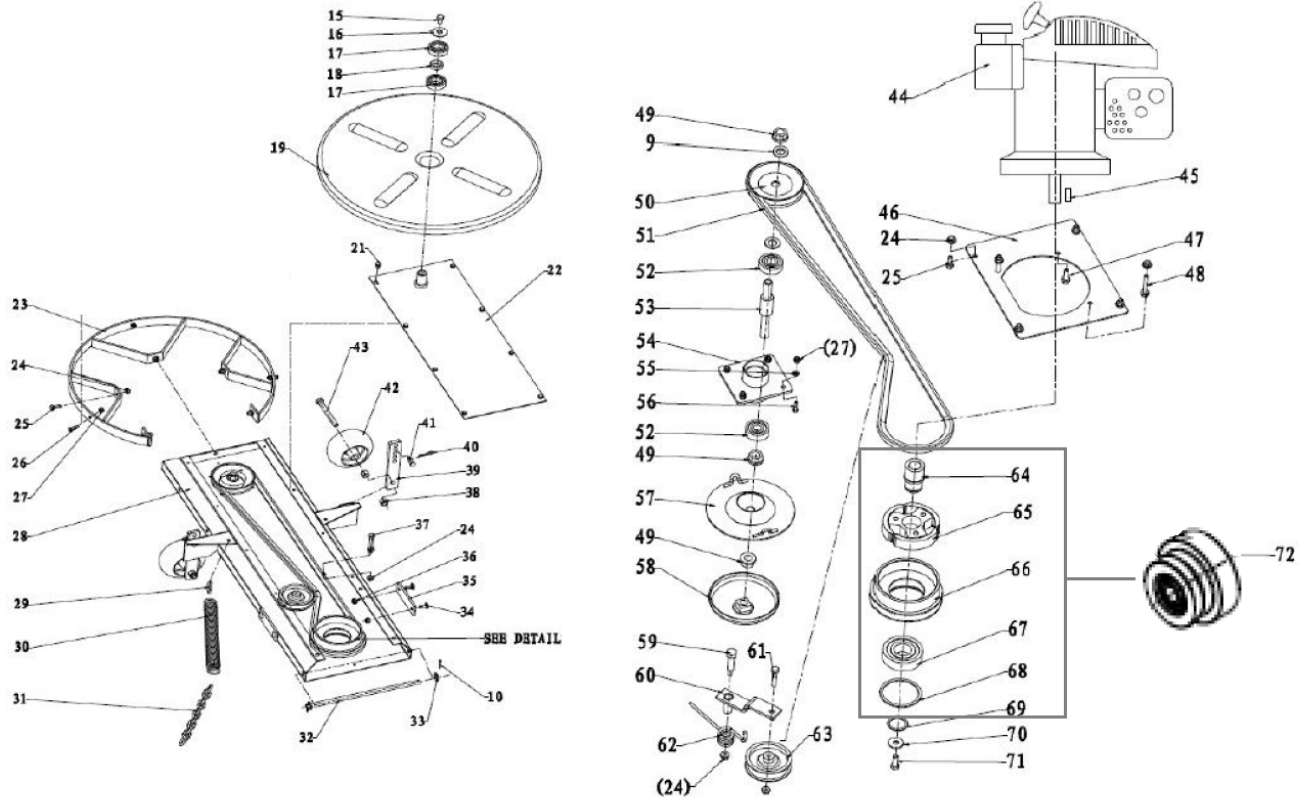
SerNo	PartNo	Description	Quantity
1	PST5.030	Hitch pin	2
2	PST5.011	L Hitch	1
3	GB5782-M8x60	Bolt M8x60	3
4	GB/T6177.1-M8	Flange Nut M8	18
5	PST5.012	Hitch	1
6	PST5.013	Frame Weldment	1
7	PST5.110	Axle	1
8	PST5.022	Tire/Wheel/Bearing	2
9	GB848-16	Plain Washer 16	6

10	GB/T91-3.2x3.2	Cotter pin 3.2X25	4
11	GB/T6128-M20	Lock Nut M20	1
12	GB848-20	Plain Washer 20	2
13	GB278-204	Bearing 60204-Z	2
14	PST5.014	Pivot Weldment	1

Sezione

2

D600_part2



SerNo	PartNo	Description	Quantity
-------	--------	-------------	----------

15	GB5783-M10X20	Bolt M10X20	1
16	GB96-12	Plain Washer 12	1
17	GB278-6205-Z	Bearing 60205-Z	2
18	PST5.116	Spacer	1
19	PST5.125	Guard	1
20	PST5.126	Plastic String Guard	1
21	ST6.3X14	Tapping bolt ST6.3x14	8
22	PST5.025	Belt Cover Weldment	1
23	PST5.016	Front Guard Weldment	1
24	GB/T6177.1-M8	Flange Nut M8	
25	GB5783-M8X20	Bolt M8X20	9
26	GB5783-M6X25	Bolt M6X25	3

27	GB889.1-M6	Lock Nut M6	3
28	PST5.015	Motor Base Weldment	1
29	PST5.111	Chain Connector	3
30	PST5.113	Return Spring	1
31	PST5.112	Safety Chain	1
32	PST5.101	Pivot Bar	1
33	GB97.1-12	Plain Washer 12	2
34	GB/T794-M8X20	Carriage Bolt M8x20	4
35	PST5.109	Wear Strip	2
36	GB/T6128-M8	Lock Nut M8	4
37	GB5782-M8X70	Bolt M8X70	1
38	GB6170-M12	Nut M12	2
39	PST5.105	Height Adjust Bar	2
40	PST5.106	Hair pin 2.2	2
41	GB882-10X28	Pin 10X28	2
42	PST5.104	Roller wheel	2
43	GB5782-M12X110	Bolt M12X110	2
44	1P70FA	Engine 1P70FA	1
45	9030	Key 3/16X1.5	1
46	PST5.102	Motor Base	1
47	GB/T16674-M8X25	Bolt M8X25	1
48	GB/T16674-M8X45	Bolt M8X45	2
49	GB/T6177.1-M16	Flange Nut M16	3
50	PST5.103	Blade Pulley	1
51	GB11544-A72	Belt A72	1
52	GB278-60303-Z	Bearing 60303-Z	2
53	PST5.114	Blade Shaft	1
54	PST5.018	Bearing Housing	1
55	GB97.1-6	Plain Washer 6	4
56	GB5783-M6X20	Bolt M6X20	4
57	PST5.020	Spinner Disk Weldment	1
58	PST5.019	Spinner Bumper	1
59	PST5.107	Shoulder Bolt	1
60	PST5.017	Idler Bracket Weldment	1
61	GB5782-M8X40	Bolt M8X40	1
62	PST5.108	Torsion Brake Spring	1
63	PST5.021	Idler Pulley	1
64	PST5.121	Shaft	1
65	PST5.023	Centrifugal Clutch	1

66	PST5.115	Engine Pulley	1
67	GB278-307-2Z	Bearing 307-2Z	1
68	GB893.1-80	internal Ring	1
69	GB894.1-35	external Ring	1
70	GB96-10	Plain Washer 10	1
71	NB238-3/8-24X1	Bolt 3/8-24X1	1
72		Pulley with Centrifugal Clutch	1