

Macchina

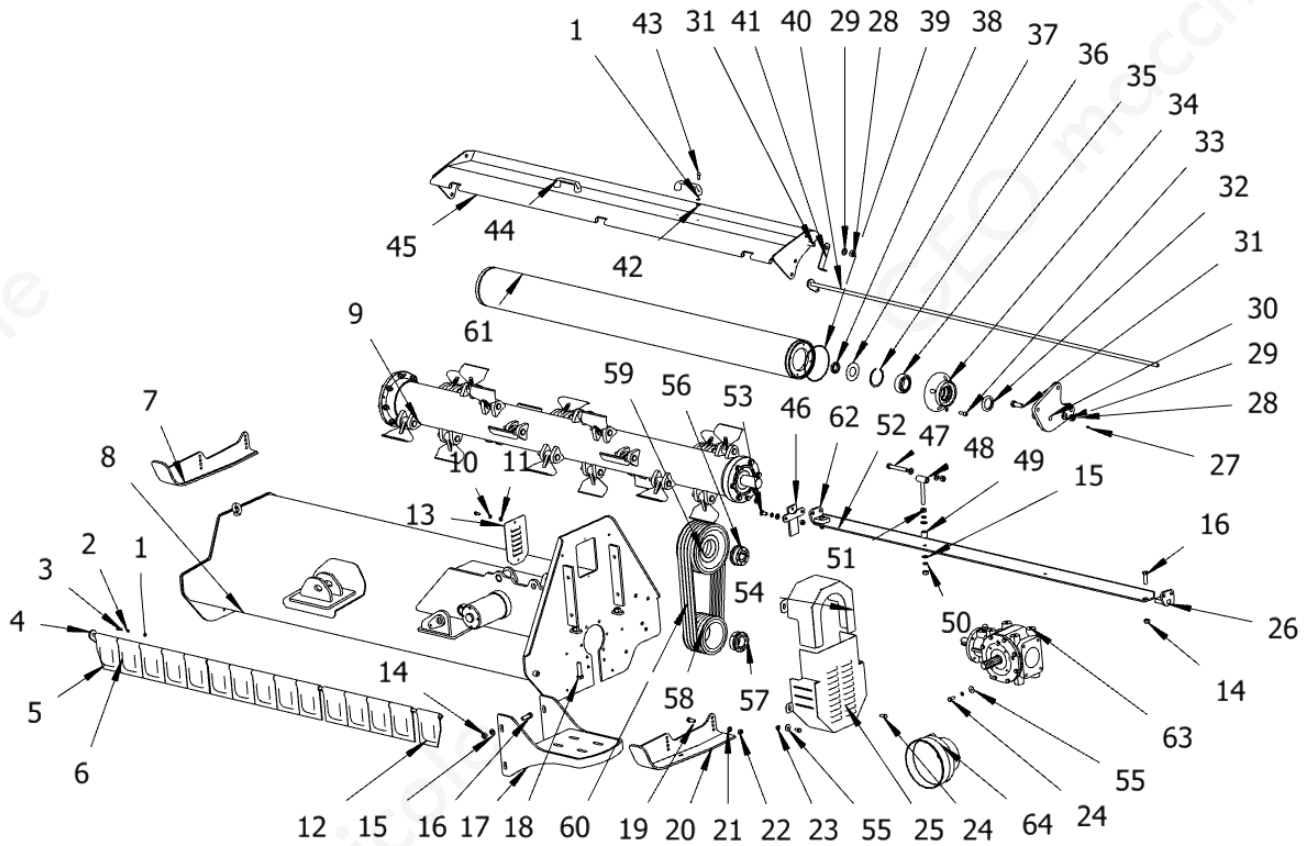
AGFN



Sezione

1

AGFN\_part1



SerNo	PartNo	Description	Quantity
-------	--------	-------------	----------

1	GB97.1-8	Plain washer 8	12
2	GB93-8	Spring washer 8	8
3	GB5783-M8x20	Full thread bolt M8x20	4
4	EFAGF200.030-N	Board hanging rod(L=2040)	1
5	EFAG140.111B	board(left corner cut)	1
6	EFAG140.111	Board	13
7	EFAGF200.032-N	Sliding rail left	1
8	EFAGF140.015-N	Body cover(140N)	1
8,1	EFAGF160.015-N	Body cover (160N)	1

8,2	EFAGF180.015-N	Body cover (180N)	1
8,3	EFAGF200.015-N	Body cover (200N)	1
8,4	EFAGF220.015-N	Body cover (220N)	1
8,5	EFAGF240.015-N	Body cover (240N)	1
9	VM140.017A	Blade shaft(140)(L=1325)	1
9,1	VM160.017A	Blade shaft (160)(L=1525)	1
9,2	VM180.017A	Blade shaft (180)(L=1725)	1
9,3	VM200.017A	Blade shaft (200)(L=1925)	1
9,4	VM220.017A	Blade shaft (220)(L=2125)	1
9,5	VM240.017A	Blade shaft (240)(L=2325)	1
10	GB93-10	Spring washer 10	10
11	GB97.1-10	Plain washer 10	5
12	EFAG140.111C	board (right corner cut)	1
13	AGFR245-0000-03	Sealing plate 1	1
14	DIN985-M14	Lock thin nut M14	11
15	GB97.1-14	Plain washer 14	14
16	GB5783-M14X45	Full thread bolt M14X45	10
17	EFAGF200.026-N	Gear box seat(140-180)	1
17,1	AGFR245-1900-00	Gear box seat(200-240)	1
18	GB5786-M16X1.5X60	Full thread bolt M16X1.5X60	2
19	GB5783-M12X30	Full thread bolt M12X30	11
20	EFAGF200.031-N	Sliding rail right	1
21	GB97.1-12	Plain washer 12	20
22	DIN985-M12	Lock thin nut M12	14
23	DIN985-M10	Lock thin nut M10	2
24	GB5783-M10X25	Full thread bolt M16X1.5X60	2
25	EFAGF200.014-N	Belt pulley below cover(140-180)	1
25,1	AGFR245-2200-00	Belt pulley below cover (200-240)	1
26	EFAGF200.029-N	Right scraper hanger	1
27	GB1152-M6	Oil cup M6	2
28	DIN985-M16	Lock thin nut M16	24
29	GB97.1-16	Plain washer 16	6
30	EFAG200.020-N	Roller left hanger	1
31	GB5783-M16x45	Full thread bolt M16X45	6
32	CFW-50x65x8	FB oil seal 50X65X8	2
33	GB70.1-M10x30	Socket cap screw M10X30	8
34	VM190.112	Bearing seat	2
35	GB276-62208-Z	Deep groove ball bearing	2
36	GB893.1-80	Check ring	2

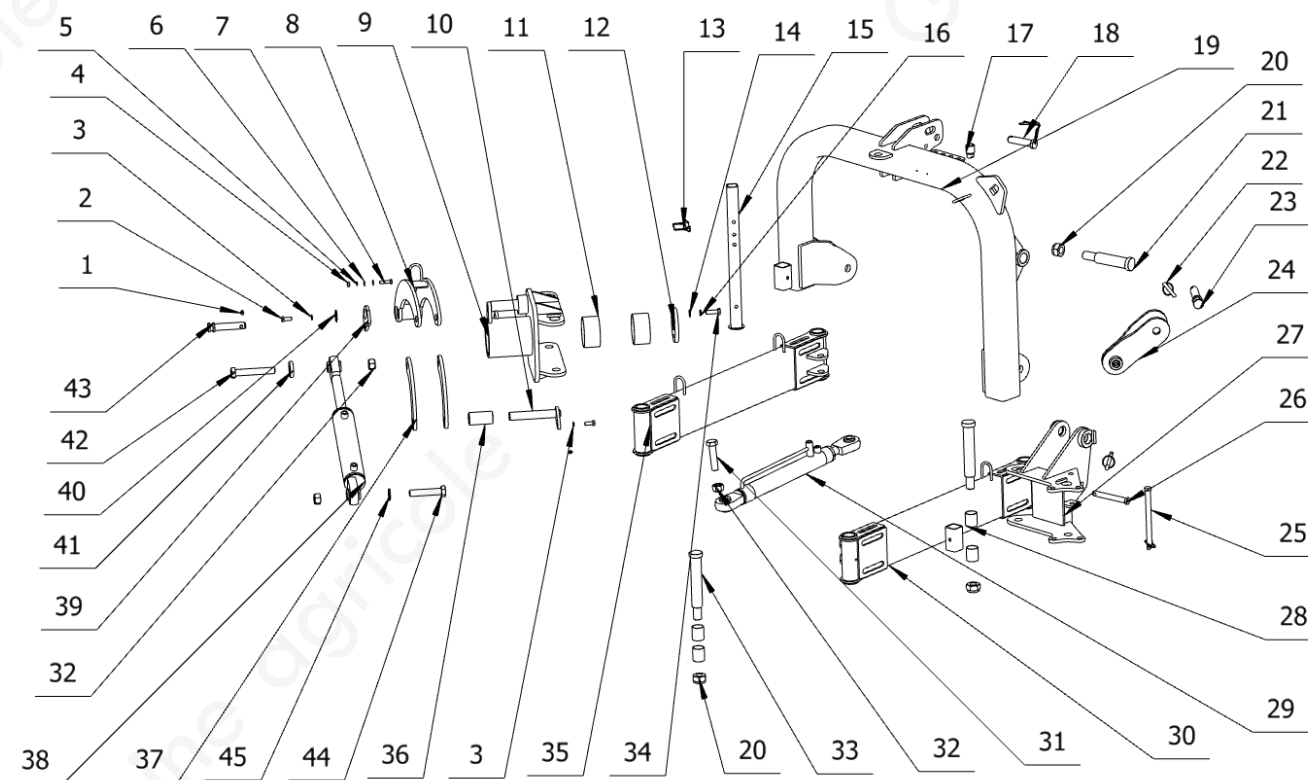
37	VM190.107	Adjusting pad(Ø80XØ41)	2
38	JB4342-40(2.5mm)	Check ring	2
39	GB3452.1-G-150X3.55	O sealing ring	2
40	AGZ-140.017-N	rod(140N)	1
40,1	AGZ-160.017-N	rod (160N)	1
40,2	AGZ-180.017-N	rod (180N)	1
40,3	AGZ-200.017-N	rod (200N)	1
40,4	AGZ-220.017-N	rod (220N)	1
40,5	AGZ-240.017-N	rod (240N)	1
41	EFAG140.142-AGMZ	Nipple seat	1
42	DIN985-M8	Lock think nut M8	4
43	GB70.1-M8X20	Socket cap screw M8X20	4
44	RKH120-BS	handle	2
45	AGZ-140.012-N	Back shield (140N)	1
45,1	AGZ-160.012-N	Back shield (160N)	1
45,2	AGZ-180.012-N	Back shield (180N)	1
45,3	AGZ-200.012-N	Back shield (200N)	1
45,4	AGZ-220.012-N	Back shield (220N)	1
45,5	AGZ-240.012-N	Back shield (240N)	1
46	AGMZ-200.017-N	Rabbet board	1
47	GB5782-M14X100	Half thread bolt M14X100	1
48	EFAGF200.033-N	Scraper studdle	1
49	EFAGF200.230-N	Spacer bush	1
50	GB93-14	Spring washer14	2
51	GB6170-M14	Hexagon nut M14	4
52	EFAGF140.219-N	scraper(140N)	1
52,1	EFAGF160.219-N	scraper(160N)	1
52,2	EFAGF180.219-N	scraper (180N)	1
52,3	EFAGF200.219-N	scraper (200N)	1
52,4	EFAGF220.219-N	scraper (220N)	1
52,5	EFAGF240.219-N	scraper (240N)	1
53	GB70.3-M12x30	Sunk screw M12x30	2
54	EFAGF200.013-N	Belt pulley upper cover(140-180)	1
54,1	AGFR245-2000-00	Belt pulley upper cover (200-240)	1
55	GB96.1-10	Extra large plain washer	4
56	REACH15-33X80	Power lock 33X80	1
57	REACH15-45X80	Power lock 45X80	1
58	EFAG140.107B	Small belt pulley (five grooves, 140-18	1
58,1	AGFR245-0000-15	Small belt pulley (five grooves, 200-2	1

59	EFAG140.109B	Big belt pulley(four grooves140-180)	1
59,1	AGFR245-0000-16	Big belt pulley (five grooves200-240)	1
60	17X1270	belt(140N-160N-180N)	4
60,1	17X1270	belt(200N-220N-240N)	5
61	VM140.015	roller(140)(L=1220)	1
61,1	VM160.015	roller (160)(L=1420)	1
61,2	VM180.015	roller (180)(L=1620)	1
61,3	VM200.015	roller (200)(L=1820)	1
61,4	VM220.015	roller (220)(L=2020)	1
61,5	VM240.015	roller (240)(L=2220)	1
62	EFAGF200.028-N	Scraper left hanger	1
63	XH50.300Z.03W	AGF885 gear box(AGFN140-180)	1
63,1	AGFR245-0300-00	AGFR245 gear box(AGFN200-240)	1
64	FM120.00.199C	PTO cover	1

Sezione

2

AGFN\_part2



SerNo	PartNo	Description	Quantity
1	GB1152-M10X1	Oil cup M10X1	7
2	GB5783-M12X30	Full thread bolt M12X30	2
3	GB93-12	Spring washer 12	2

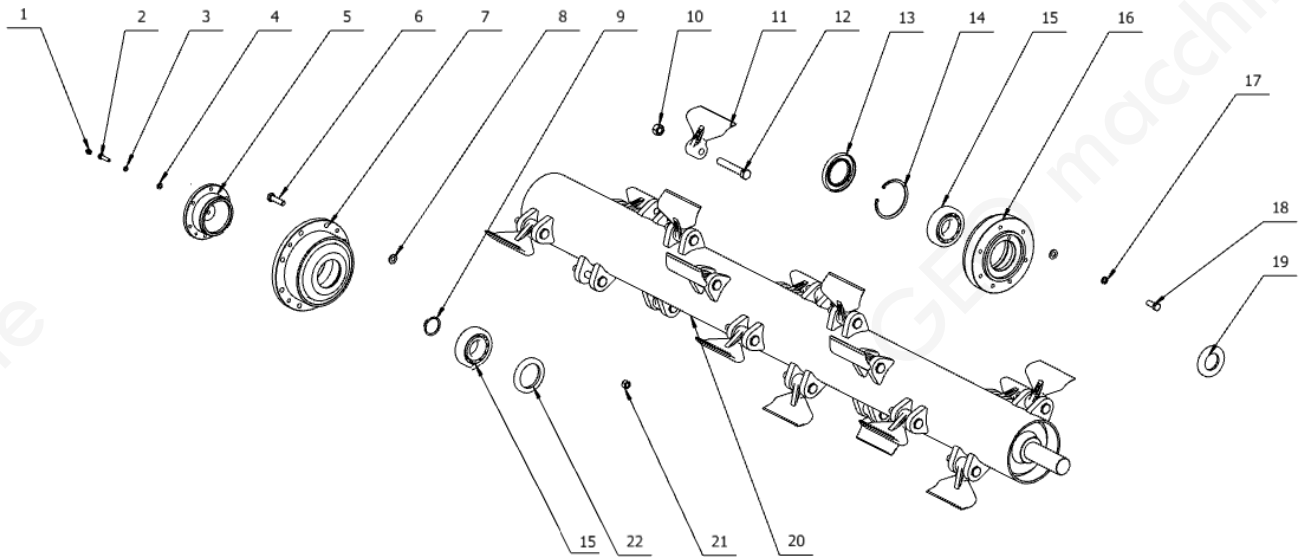
4	GB6170-M10	Hexagon nut M10	2
5	GB93-10	Spring washer10	2
6	GB97.1-10	Plain washer 10	4
7	GB5783-M10x40	Full thread bolt-M10x40	2
8	EFAGF140.027	Moon plate(140N-160N-180N)	1
8,1	AGFR245-1100-00	Moon plate(200N-220N-240N)	1
9	EFAGF140.025J	Sway spindle(140N-160N-180N)	1
9,1	AGFR245-2300-00	Sway spindle (200N-220N-240N)	1
10	EFAGF200.034-N	Push plate pin	1
11	SF-2-110X115X60	Self lubricating bearing	2
12	EFAGF140.105	End cap	1
13	EF100.00.111A	D square cotter	2
14	GB97.1-14	Plain washer 14	4
15	AGFR245-0400-00	Short supporting leg	2
16	GB93-14	Spring washer14	4
17	AGFR245-2500-00	Fixing sleeve	4
18	1G-180-00-019	Upper suspension pin	1
19	AGFR245-0100-00	Suspension frame	1
20	DIN985-M30X2	Lock thin nut	5
21	EFAGF140.106	Short pin	1
22	200.56.011	Lock pin	5
23	EFAG140.014A-1	Below suspension pin (AG200/220/2	3
24	EFAGF140.030	Movable suspension frame	1
25	EFAGF200.218-N	Safety pin	1
26	AGFR245-0000-14	Fixing pin 1	1
27	AGFR245-0500-00	Horizontal swing seat	1
28	SF-2-40X44X50	Self lubricating bearing	8
29	EFAGF140.021-N	Translation cylinder	1
30	EFAGF140.019	Rear swing arm(140-180)	1
30,1	AGFR245-0600-00	Rear swing arm (200-240)	1
31	GB5782-M24x100	Half thread bolt-M24x100	2
32	DIN985-M24	Lock thin nut M24	3
33	EFAGF140.101	Long pin	4
34	GB5783-M14x45	Full thread bolt-M14x45	4
35	EFAGF140.018	Front swing arm(140-180)	1
35,1	AGFR245-1200-00	Front swing arm (200-240)	1
36	EFAGF200.236-N	Spacer bush	1
37	EFAGF140.107A	Push plate	2
38	EFAGF140.024	Side-way swing arm	1

39	EFAGF140.102	Locking plate	1
39,1	EFAGF140.102A	Locking plate	1
40	EFAGF140.103A	washer(Ø45*Ø13)	1
41	EFAGF200.235-N	Spacer pad	1
42	GB5782-M24x150	Half thread bolt M24x150	1
43	AGFR245-0000-02	Transportation fixing pin	1
44	GB5782-M24X120	Half thread bolt M24	1
45	GB97.1-24	Plain washer 24	1

Sezione

3

AGFN\_part3

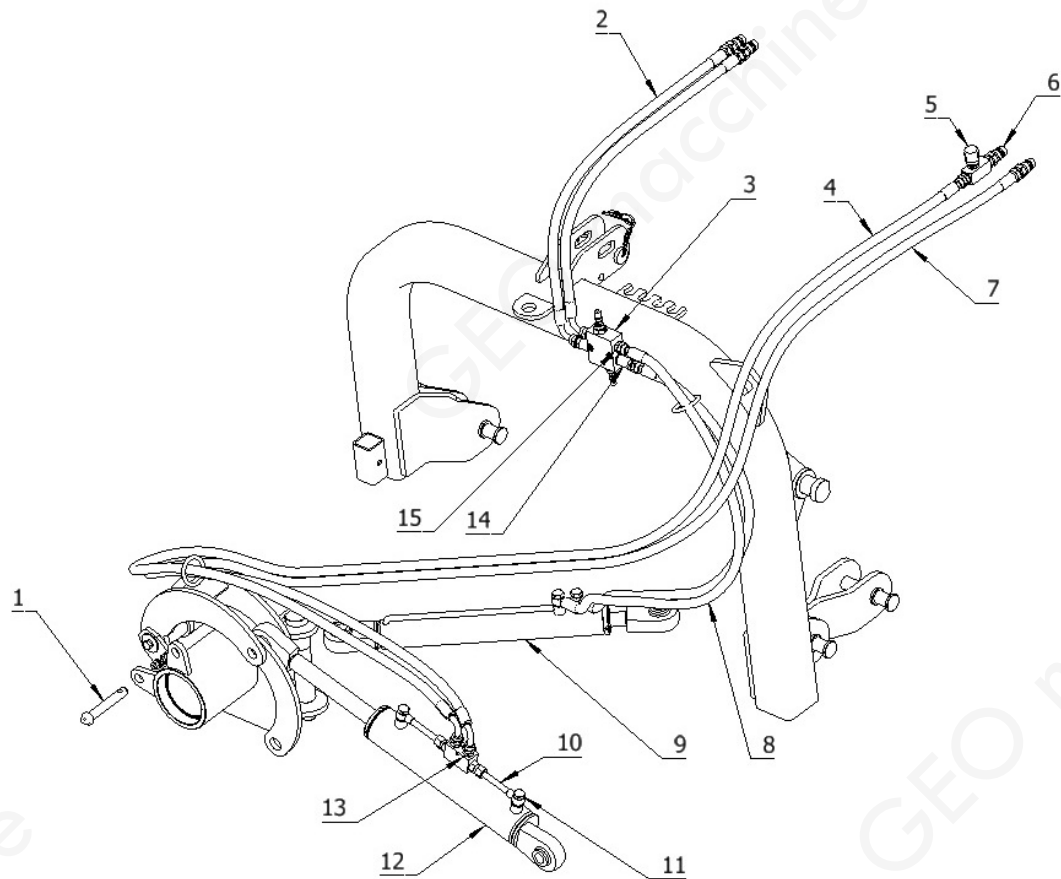


SerNo	PartNo	Description	Quantity
1	GB1152-M10X1	Oil cup M10X1	1
2	GB5783-M8x30	Full thread bolt M8x30	6
3	GB93-8	Spring washer 8	6
4	GB97.1-8	Plain washer8	6
5	VM190.163-N	bearing seat nipple cap	1
6	GB5783-M12x45	Full thread bolt M12x45	8
7	AGFR245-0000-11	Left bearing seat	1
8	GB97.1-12	Plain washer 12	15
9	GB894.1-45	Check ring	1

10	DIN985-M16X1.5	Lock thin nut M16X1.5	20
11	EFAG140.103	hammer	20
12	EFAG140.190	Bolt for hammer(M16X1.5X92)	20
13	CFW-65X100X10	FB oil seal	1
14	GB893.1-100	Check ring	1
15	GB281-1309	Self-aligning ball bearing	2
16	VM190.111-N	Right bearing seat	1
17	GB93-12	Spring washer12	7
18	GB5783-M12x30	Full thread bolt M12x30	7
19	CFW-45X80X8	FB oil seal	1
20	VM140.017A	Blade shaft(140)(L=1325)	1
20,1	VM160.017A	Blade shaft(160)(L=1525)	1
20,2	VM180.017A	Blade shaft(180)(L=1725)	1
20,3	VM200.017A	Blade shaft(200)(L=1925)	1
20,4	VM220.017A	Blade shaft(220)(L=2125)	1
20,5	VM240.017A	Blade shaft (240) (L=2325)	1
21	DIN985-M12	Lock thin nut M12	8
22	CFW-65X90X10	FB oil seal	1

Sezione

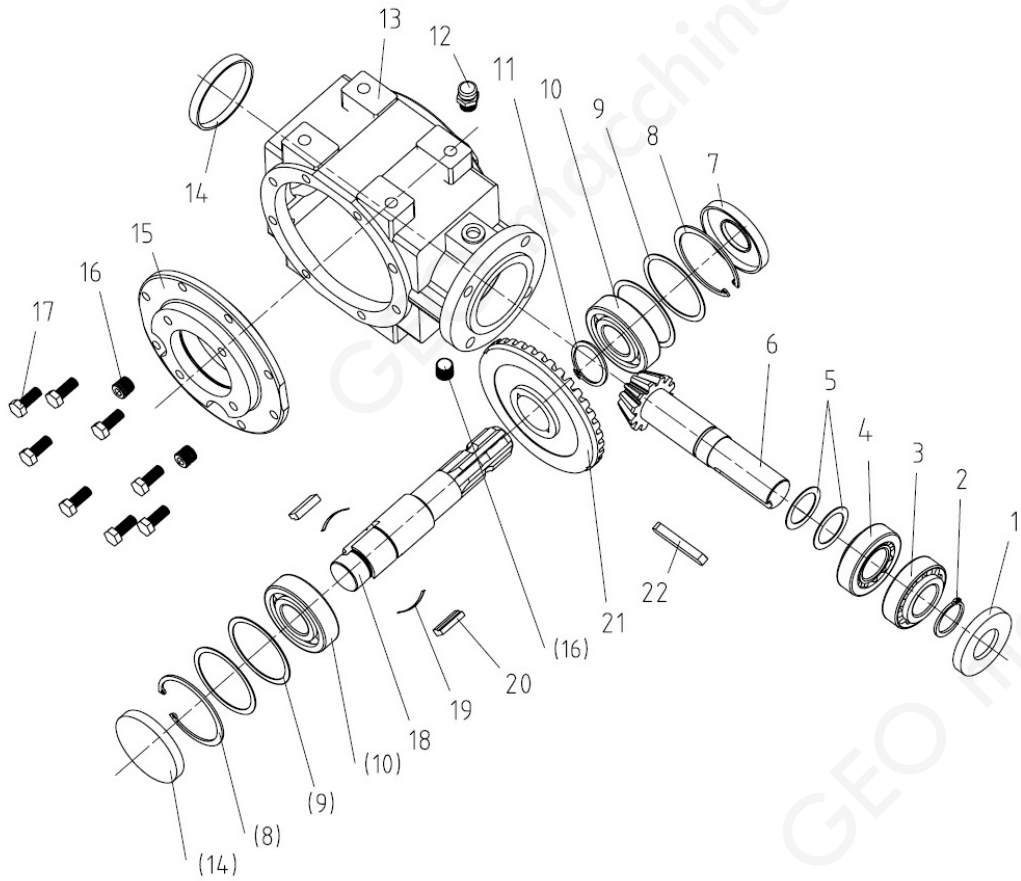
4



SerNo	PartNo	Description	Quantity
1	AGFR245-0000-02	Transportation fixing pin 1	1
2	EFAGF140.022A	pipeline(L=2000)	2
3	VAU-G3/8-B	Both way flow valve	1
4	EFAGF140.023J	Pipe line(L=3600)	1
5	FV10-1-10/2-G3/8	Flow control valve (3/8)	1
6	QUICK-COUPPING-G1/2-G	Quick change pin end G1/2	4
7	EFAGF140.023A	Pipe line(L=3600)	1
8	EFAGF140.020A-N	Short pipe line(L=1300)	2
9	EFAGF140.021-N	Translation cyliner	1
10	AGF140.089	AGF steel pipe (RL-12/NL-18&12)	2
11	GB3541-M16X1.5	Hinge joint bolt	4
12	EFAGF140.024	Side-way swing arm	1
13	VRDD-G3/8-12L-A	Bothway lock pin	1
14	LSP-18T-205	Long joint	2
15	1CB-18-06WD	Joint M18X1.5-G3/8	2



AGFN\_part5



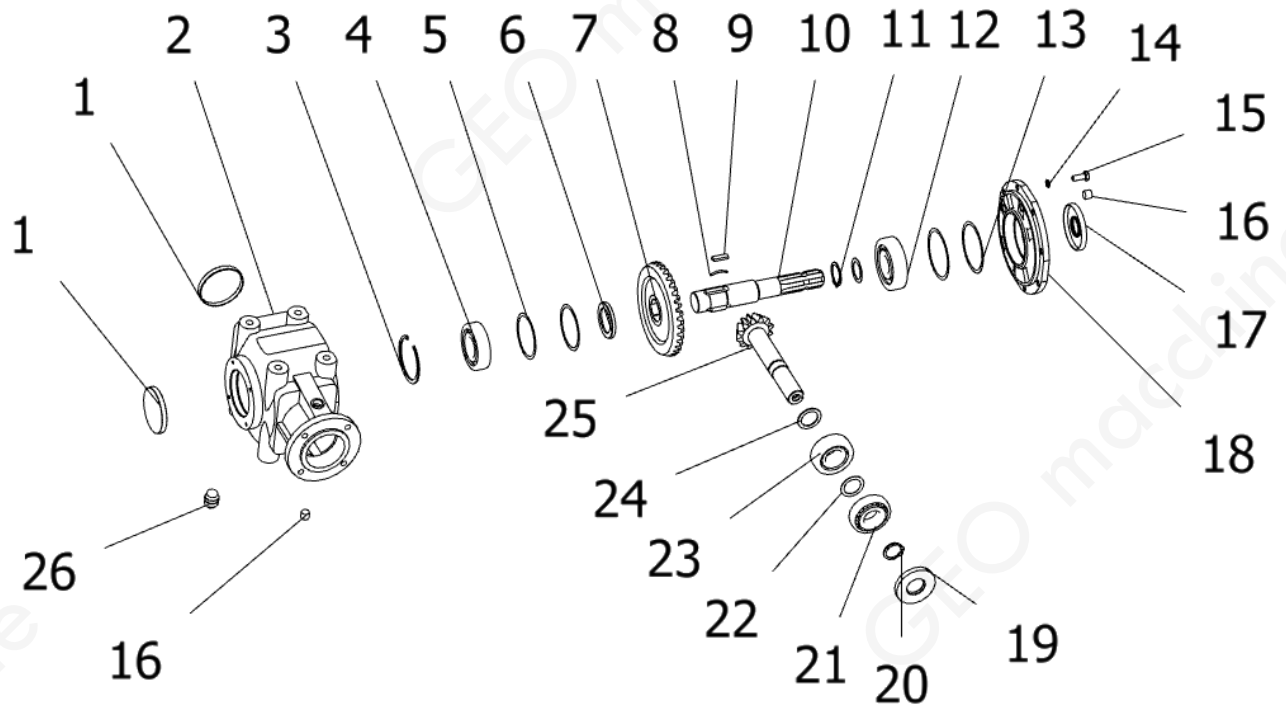
SerNo	PartNo	Description	Quantity
1	CFW-35X72X10	FB oil seal 35X72X10	1
2	JB4342-35	Check ring 35	1
3	GB297-30207	Conical roller bearing 30207	1
4	GB297-32207	Conical roller bearing 32207	1
5	TZDP-48-35-1	Adjusting shim 48X35X1	2
6	AG14.01.C01	Output shaft gear	1
7	CFW-35X80X10	FB oil seal 35X80X10	1
8	GB893.1-80	Check ring 80	2
9	TZDP-80-70-1	Adjusting shim80X70X1	4
10	GB276-6307	Deep groove ball bearing 6307	2
11	GB894.1-42	Check ring 42	1
12	CBW-00-011B	ZG3/8 air plug	1
13	AG14.01.C02-884	311 shell	1
14	NFG-RCA-80X10	Cap 80X10	2
15	AG14.01.C03	311 shell cap	1
16	ZBT32001.3-ZG3/8-19"	Tapered plug	3
17	GB5783-M10X25	Full thread bolt M10X25	8
18	GF140.01.C04	Input shaft	1
19	AG14.01.C07	Leaf spring	2

20	AG14.01.Co6	key	2
21	AG14.01.Co5A	Main gear	1

Sezione

6

AGFN\_part6



SerNo	PartNo	Description	Quantity
-------	--------	-------------	----------

1	NFG-RCA-90X10	Cap 90X10	2
2	AG20.01.Co2	311 shell	1
3	GB893.1-90	Check ring 90	1
4	GB276-6308	Deep groove ball bearing6308	1
5	TZDP-90-79-0.4	Adjusting shim 90X79X0.4	2
6	1J-180-053.02	Shim 56X42X3	1
7	AGFR245-0300-02	Bevel gear wheel	1
8	AG14.01.Co7	Leaf spring	3
9	AG14.01.Co6	key	3
10	AGFR245-0300-01	Spline shaft 1	1
11	GB894.1-42	Check ring 42	1
12	GB276-6407	Deep groove ball bearing6407	1
13	TZDP-100-89-0.4	Adjusting shim 100X89X0.4	2
14	GB93-10	Spring washer 10	8
15	GB5783-M10X25	Full thread bolt	8

16	ZBT32001.3-ZG3/8-19"	Tapered plug	3
17	CFW-35X90X10	FB oil seal 35X90X10	1
18	AG20.01.C03	311 shell	1
19	CFW-35X80X10	FB oil seal 35X80X10	1
20	JB4342-35	Check ring 35	1
21	GB297-30307	Tapered roller bearing 30307	1
22	TZDP-48-35-1	Adjusting shim 48X35X1	2
23	GB297-32307	Tapered roller bearing 32307	1
24	TZDP-48-35-2	Adjusting shim 48X35X2	1
25	AG20.01.C01	Out-put shaft	1
26	CBW-00-011B	ZG3/8 air plug	1