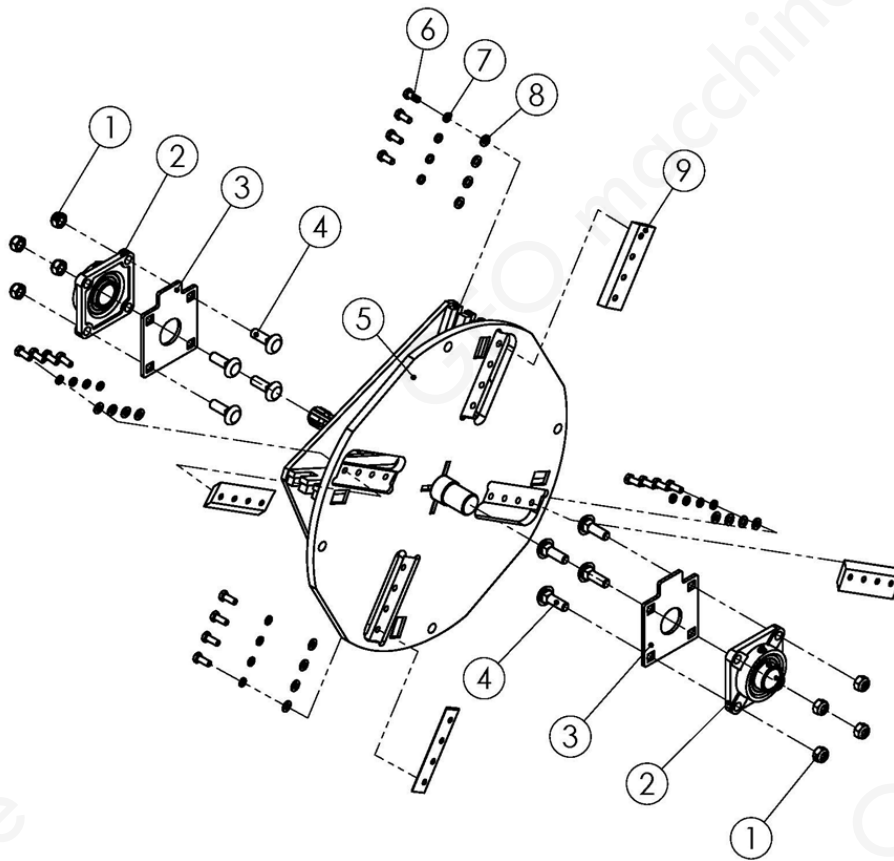


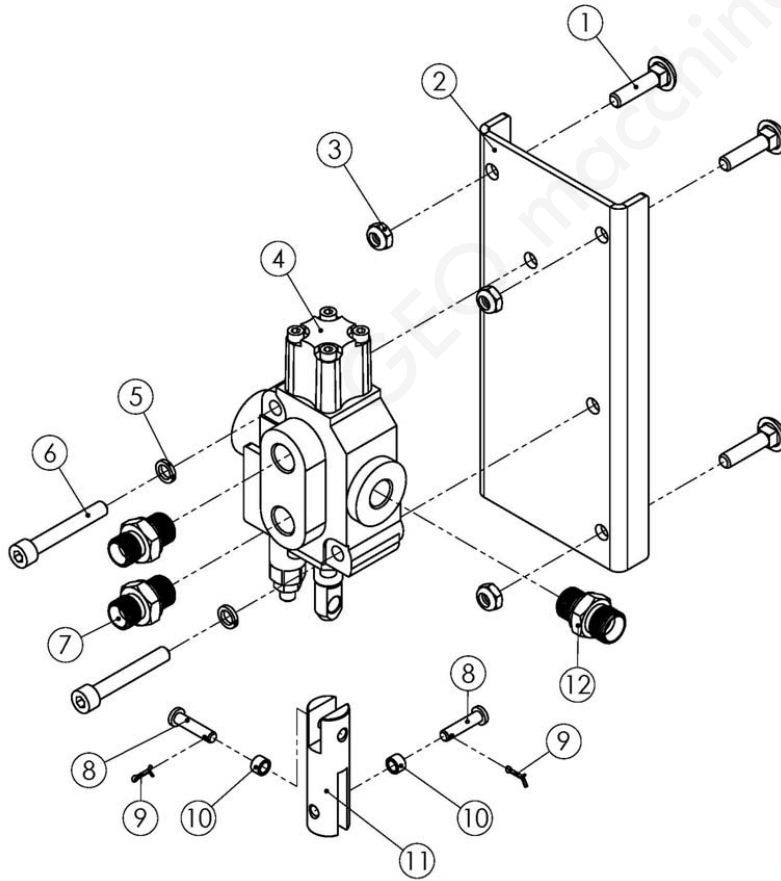
SerNo	PartNo	Description	Quantity
1	WC52R-0015	Discharge bucket	1
2	S26.01.103	Handle cover	3
3	WC52R-0111	baffle	2
4	WC52R-0109	plate	2
5	DIN985-M6	Lock nut	11
6	WC52R-0021	handle	1
7	WC52R-0129	Nylon washer 8	5
8	GB96.1-8	Larger plain washer	3
9	ISO7379-8X10-M6	Bolt 8X10-M6	3
10	WC52R-0112	Tension spring	1
11	WC52R-0016	Protective cover weldment	1
12	GB794-B-M8X20	bolt	2
13	GB97.1-8	Plain washer	2
14	DIN985-M8	locknut	2
15	WC52R-0113	Tension spring	1
16	WC52R-0022	plate	1
17	GB5783-M6X20	bolt	8



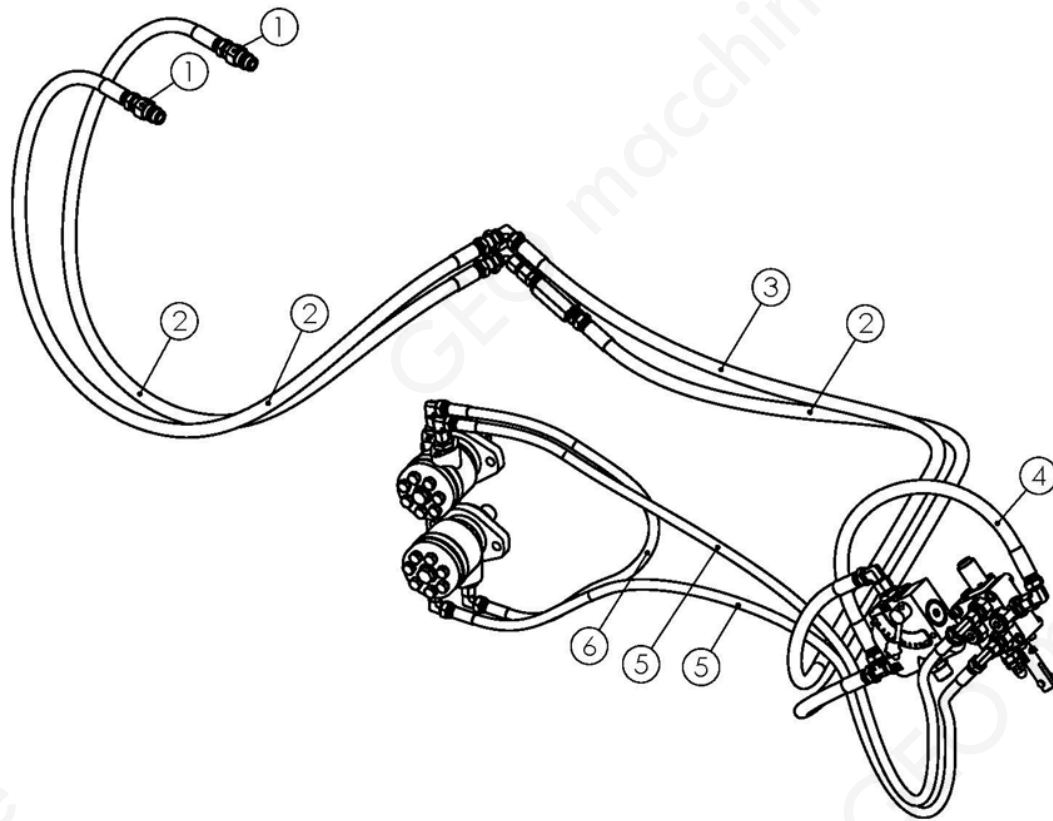
SerNo	PartNo	Description	Quantity
1	DIN985-M16	Lock nut	8
2	UCF208(R1/8)	bearing	2
3	WC52R-0104	plate	2
4	GB794-B-M16X50	bolt	8
5	WC52R-0013A	Flywheel weldment	1
6	GB5783-M10X25	bolt	16
7	GB93-10	Spring washer	16
8	GB97.1-10	Plain washer	16
9	WCX5-0101	Moving blade	4

Sezione

7



SerNo	PartNo	Description	Quantity
1	GB794-B-M8X35	bolt	3
2	WC52R-0034A	Valve seat	1
3	DIN985-M8	Lock nut	3
4	MB-21S-3010001G3M1	Single valve	1
5	GB93-8	Spring washer	2
6	GB70.1-M8X55	screw	2
7	1CB-16-06WD	Joint M16X1.5	2
8	GB882-B-6X26	Pin shaft	2
9	GB91-2X10	Cotter pin	2
10	WC52R-1002	roller	2
11	WC52R-1003	Pull rod	1
12	1CB-18-06WD	Joint M18X1.5	1



SerNo	PartNo	Description	Quantity
1	QUICK-COUPLING-G1/2-G	Quick jointG1/2	2
2	WC52R-0083A	Return oil pipe	3
3	WC52R-0082A	Oil supply pipe	1
4	WC52R-0084	Valve oil return pipe	1
5	WC52R-0085A	Pipe from valve to motor	2
6	WC52R-0086	Inner motor oil pipe	1