

Macchina

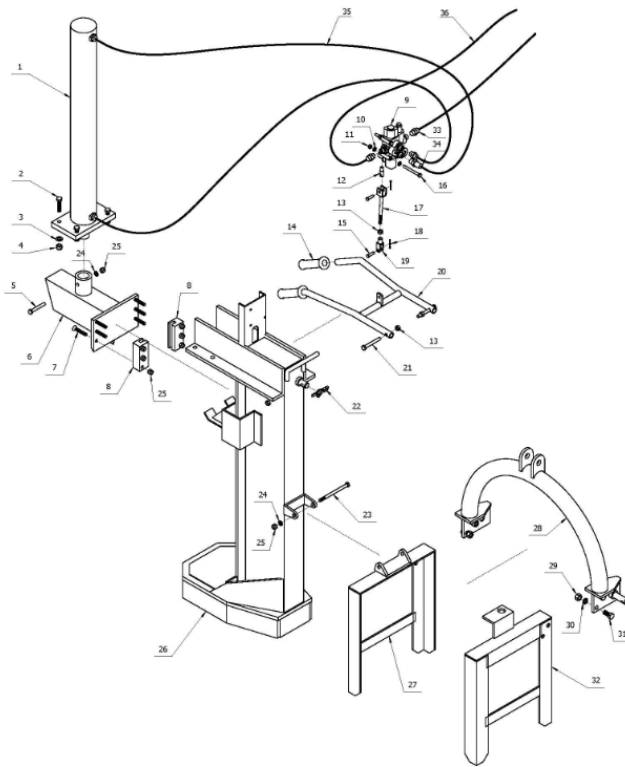
TS



Sezione

1

TSn_part1



SerNo	PartNo	Description	Quantity
1	LSP-18T-010A	cylinder	1
2	GB5783-M12x50	M12 x 50 bolt	4
3	GB97.1-12	12 washer	4
4	GB6184-M12	M12 nut	4
5	GB5782-M10x70	M10 x 70 bolt	1
6	LS-18T-012	blade rotor	1
7	GB819.1-H-M10X60	M10 x 60 bolt	6
8	LS-18T-101	slide block	2
9	ZT1-YT-1/0	valve	1

10	GB97.1-8	8 washer	6
11	GB6184-M8	M8 nut	3
12	LSP-18T-201	driving level	1
13	GB6170-M10	M10 nut	3
14	S26.01.103	hand shank cover	2
15	GB882-B-8X30	8 x 30 pin	2
16	GB5782-M8x80	M8 x 80 bolt	3
17	LSP-18T-014	pull rod	1
18	GB91-3x20	3 x 20 pin	2
19	LSP-18T-202	joint block	1
20	LSP-18T-013	joystick	1
21	GB5782-M10x80	M10 x 80 bolt	2
22	200.56.011	pin	1
23	GB5782-M10x140	M10 x 140 bolt	1
24	GB97.1-10	10 washer	2
25	GB6184-M10	M10 nut	8
26	LS-18T-011	rack	1
27	LS-18T-018	left holder	1
28	LS-18T-019	hitch frame	1
29	GB6170-M14	M14 nut	4
30	GB93-14	14 washer	4
31	GB5783-M14x30	M14 x 30 bolt	4
32	LS-18T-017	right holder	1
33	1CM-18WD	oil hose connector	3
34	ZL-25-028C-HN	oil hose connector	1
35	LSP-18T-020A	hose	2
36	LS-18T-022A	hose	2