

Macchina

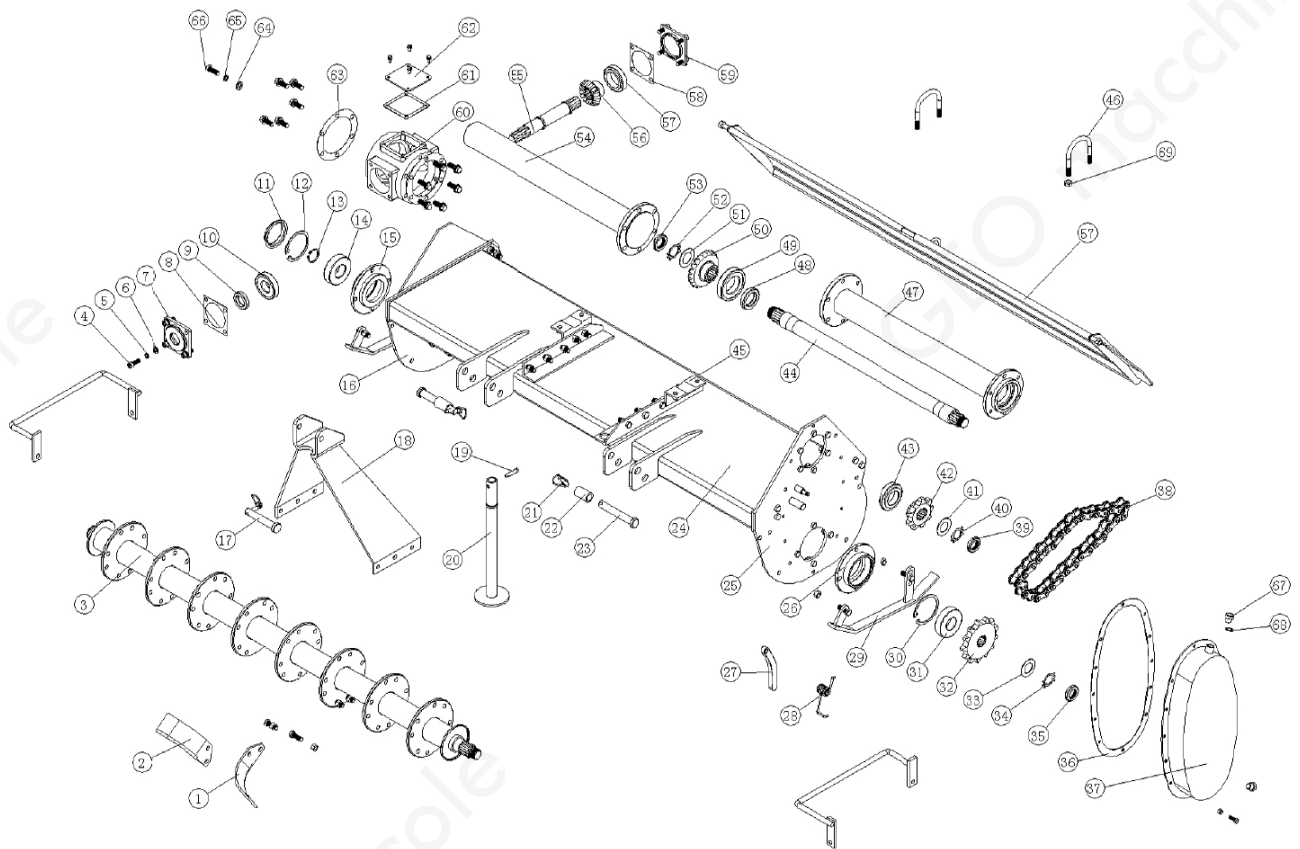
TLP



Sezione

1

TLP



| SerNo | PartNo | Description        | Quantity |
|-------|--------|--------------------|----------|
| 1     |        | Left-bent blade    | 16       |
| 2     |        | Right-bent blade   | 16       |
| 3,1   |        | Blade shaft TLP150 | 1        |
| 3,2   |        | Blade shaft TLP180 | 1        |
| 4     |        | Blots              | 8        |
| 5     |        | Spring washer      |          |
| 6     |        | Washer             |          |
| 7     |        | Cap                | 1        |
| 8     |        | O il seal ring     | 2        |

|      |                         |   |
|------|-------------------------|---|
| 9    | Oil seal                | 1 |
| 10   | Bearing                 | 1 |
| 11   | cover                   | 1 |
| 12   | Eyelet washer           | 1 |
| 13   | Shaft washer            |   |
| 14   | Bearing                 | 2 |
| 15   | Bearing seat            | 1 |
| 16   | Side board              | 1 |
| 17   | Dowel                   | 1 |
| 18   | Shield protective cover | 1 |
| 19   | Dower                   | 1 |
| 20   | Stay bar                |   |
| 21   | Dower                   | 3 |
| 22   | Sheath                  | 2 |
| 23   | Dower                   |   |
| 24   | Cover                   | 1 |
| 25   | Side board              | 1 |
| 26   | Bearing seat            | 1 |
| 27   | Tension plate           | 1 |
| 28   | Spring                  | 1 |
| 29   | Anti-friction plate     | 2 |
| 30   | Eyelet washer           |   |
| 31   | Bearing                 |   |
| 32   | Big sprocket wheel      | 1 |
| 33   | Washer                  | 1 |
| 34   | Stop washer             |   |
| 35   | Circular nut            | 1 |
| 36   | Oil seal ring           | 1 |
| 37   | Side chain gearbox      |   |
| 38   | Chain                   | 1 |
| 39   | Circular nut            |   |
| 40   | Stop washer             |   |
| 41   | Washer                  | 1 |
| 42   | Small sprocket wheel    | 1 |
| 43   | Bearing                 | 1 |
| 44,1 | Second shaft TM150      | 1 |
| 44,2 | Second shaft TM180      | 1 |
| 45   | Angle iron              | 2 |
| 46   | U-blots                 | 2 |

|      |                            |   |
|------|----------------------------|---|
| 47,1 | Main frame pipe TM150      |   |
| 47,2 | Main frame pipe TM180      |   |
| 48   | O il seal                  | 1 |
| 49   | Bearing                    | 1 |
| 50   | Big bevel gear             | 1 |
| 51   | Washer                     | 1 |
| 52   | Stop washer                | 1 |
| 53   | Circular nut               | 1 |
| 54,1 | Auxiliary frame pipe TM150 |   |
| 54,2 | Auxiliary frame pipe TM180 | 1 |
| 55   | First shaft                | 1 |
| 56   | Small bevel gear           | 1 |
| 57   | Bearing                    |   |
| 58   | O il seal ring             | 1 |
| 59   | Cap                        | 1 |
| 60,1 | Complete Gearbox           |   |
| 60,2 | Intermediate gearbox       | 1 |
| 61   | O il seal ring             | 1 |
| 62   | Cap                        | 1 |
| 63   | O il seal ring             | 2 |
| 64   | Suspension Slice           |   |
| 65   | Spring washer              |   |
| 66   | Bolts                      | 2 |
| 67   | O il plug                  | 2 |
| 68   | Copper gasket              |   |