

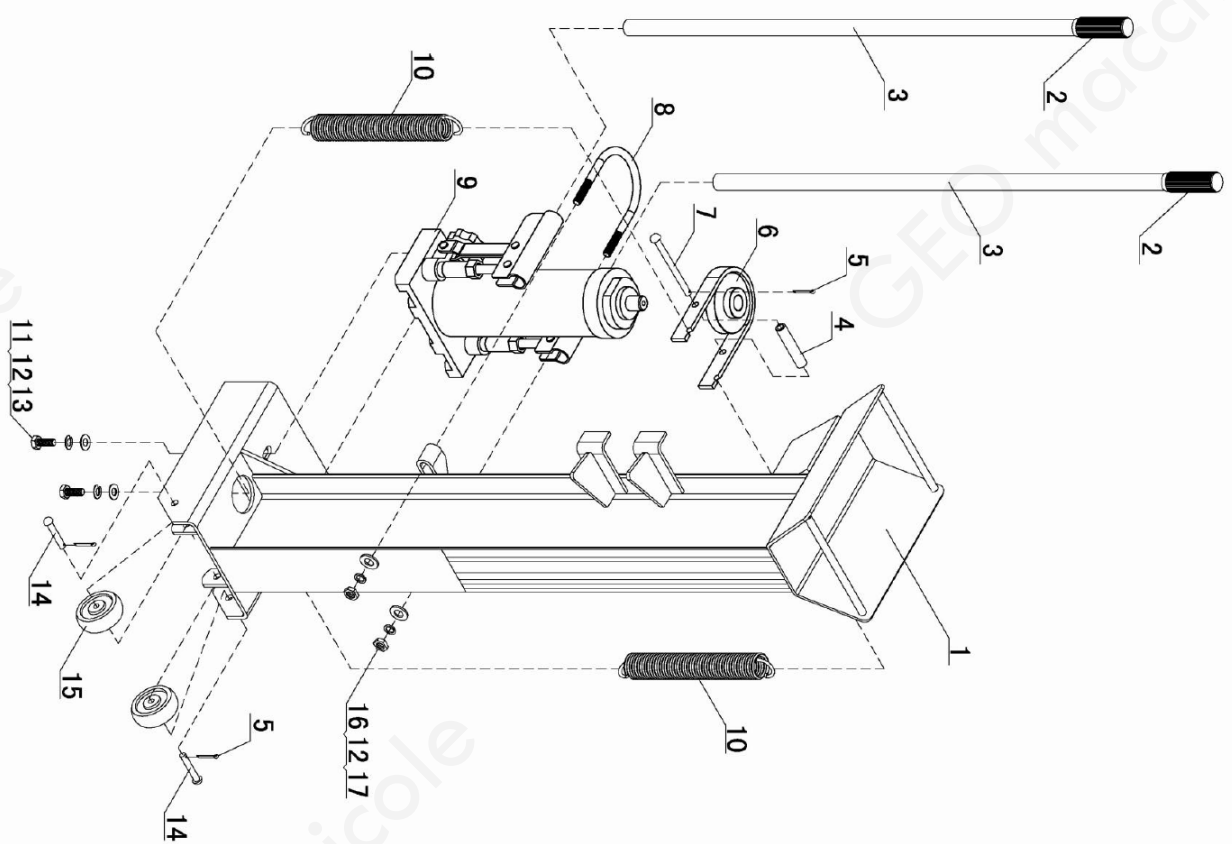
Macchina

MS



Sezione

MS



SerNo	PartNo	Description	Quantity
1		Wedge Base	1
2		Handle Grip	2
3		Operation Handle	2
4		Spacer	1
5		Cotter Pin Ø3x25	3
6		Ram Plate	1
7		Pin	1
8		U-Bolt	1
9		Ram Assembly	1

10	Ram Return Spring	2
11	Hex Bolt M10x25	2
12	Lock Washer Ø10	4
13	Flat Washer Ø10	2
14	Wheel Axle	2
15	Wheel	2
16	Big Flat Washer Ø10	2
17	Hex Nut M10	2
18	Oil seal in the pump	