

Macchina

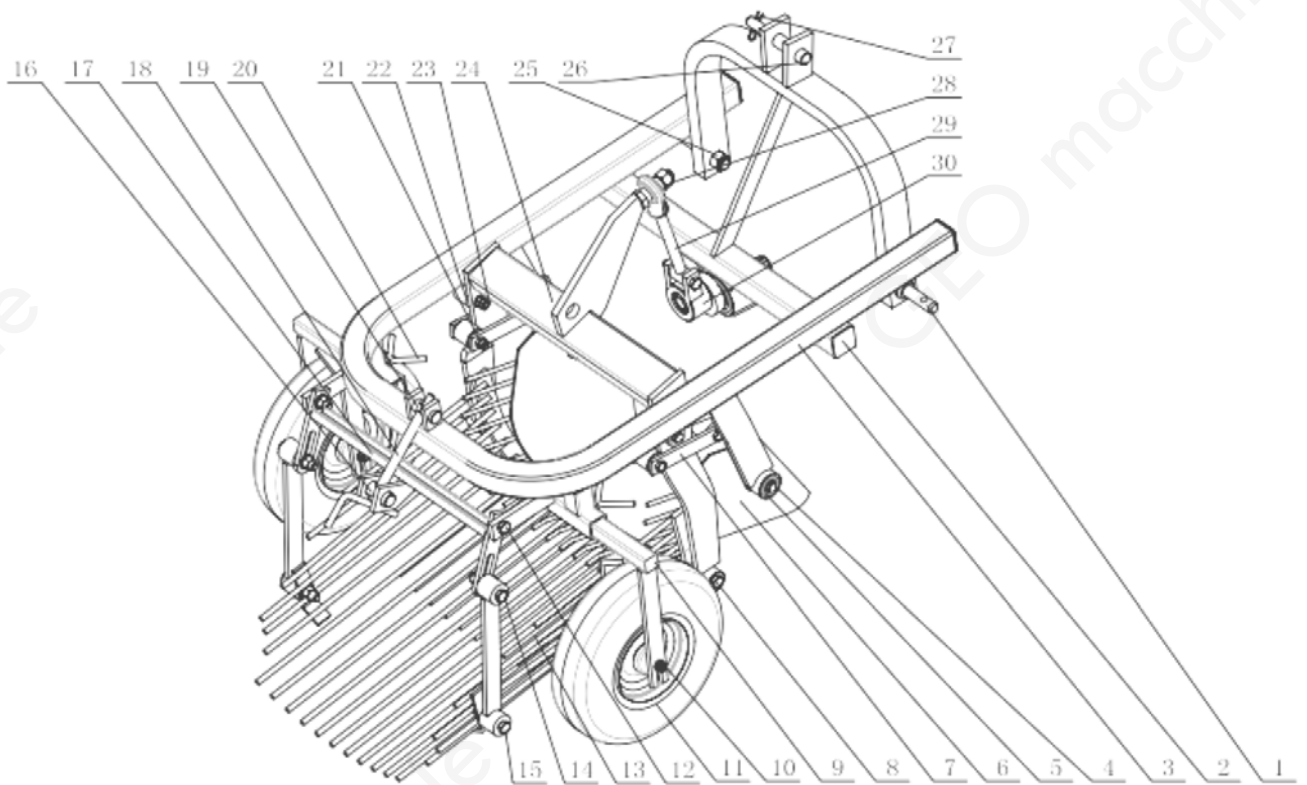
PM



Sezione

1

PM\_MainAssembly



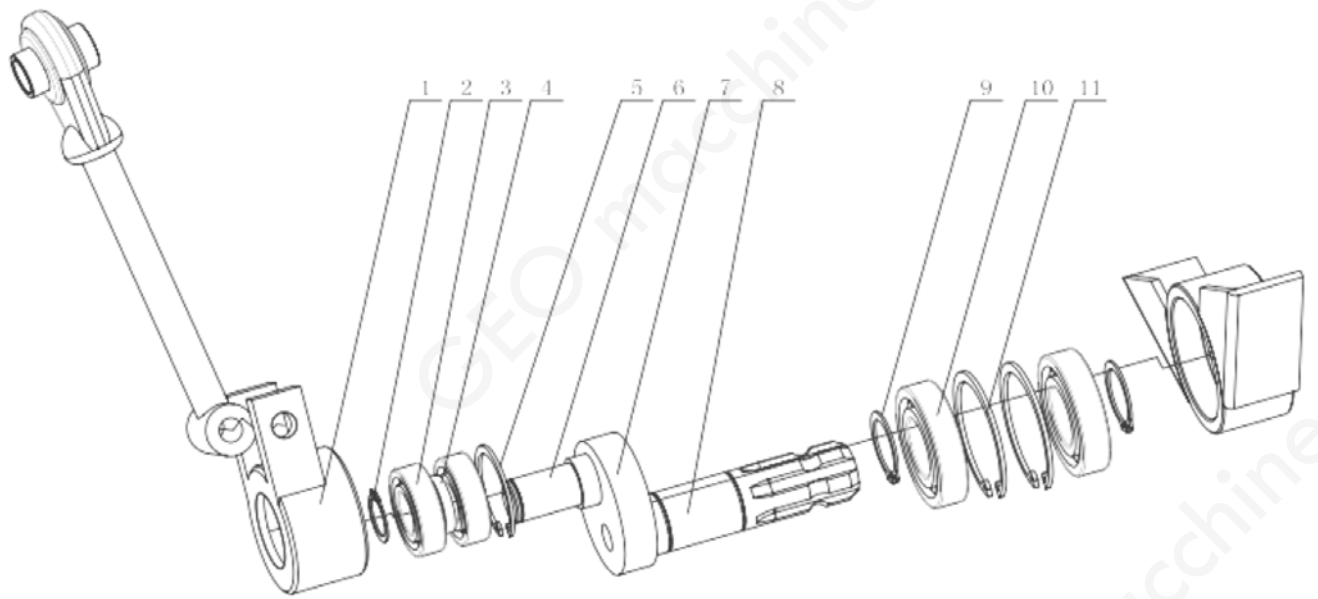
SerNo	PartNo	Description	Quantity
1	PD001	TOP LINK PIN	2
2	PD002	PLUG	4
3	PD003	FRAME	1
4	PD004	BOLT M12x100 +NUT+WASHER	2
5	PD005	BEARING 6301 +spacer 35X13x18	2
6	PD006	SHOVEL	1
7	PD007	CONNECTION BAR	4
8	PD008	BOLT M14x70 +Teflon+ NUT+WASHE	2
9	PD009	WHEEL SUPPORT	2

10	PD010	BOLT M12x140 +WASHER	4
11	PD011	WHEEL	2
12	PD012	BOLT M12x40 AND NUT	2
13	PD013	POTATO SIEVE	2
14	PD014	BOLT M14x90 +Teflon+NUT+WASHE	2
15	PD015	BOLT M14x70 +Teflon+ NUT	2
16	PD016	ADJUSTING SHAFT	1
17	PD017	ADJUSTING FRAME	1
18	PD018	ADJUSTING BOLT	1
19	PD019	BOLT	1
20	PD020	BOLT	2
21	PD021	BOLT M14x90 +Teflon+NUT	4
22	PD022	BOLT M12x90 +NUT+WASHER	2
23	PD023	BEARING 6201 + spacer 30X13x18	2
24	PD024	SWING FRAME	1
25	PD025	NUT,WASHER	2
26	PD026	TOP LINK PIN	1
27	PD027	PIN	1
28	PD028	NUT	1
29	PD029	CONNECTING ROD	1
30	PD030	TRASMISSION PART	1

Sezione

2

PM\_Gearbox



SerNo	PartNo	Description	Quantity
1	PD030.1	CONNECTION BUSH	1
2	PD030.2	CIRCLIP	1
3	PD030.3	BEARING	2
4	PD030.4	WASHER	1
5	PD030.5	CIRCLIP	1
6	PD030.6	ECCENTRIC SHAFT	1
7	PD030.7	ECCENTRIC WHEEL	1
8	PD030.8	INPUT SHAFT	1
9	PD030.9	CIRCLIP	1
10	PD030.10	BEARING	2
11	PD030.11	CIRCLIP	2