

Macchina

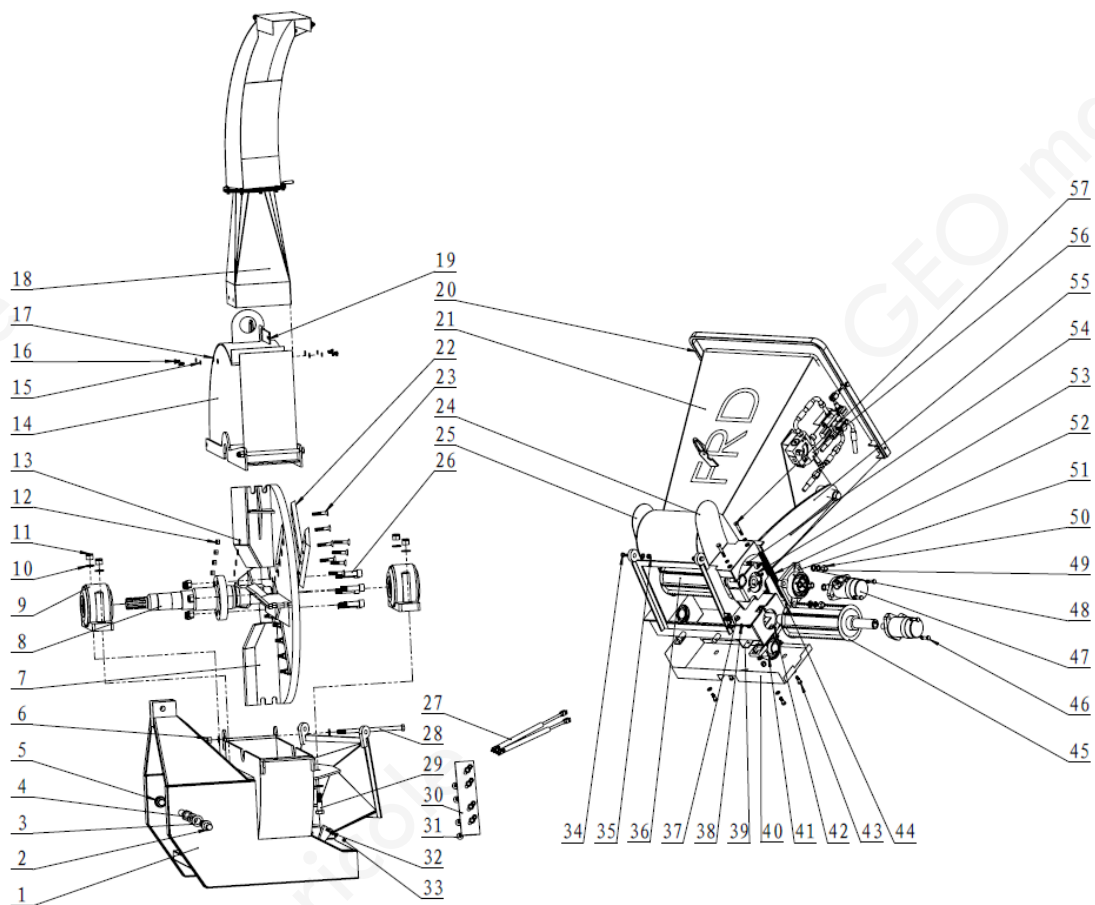
ECO22



Sezione

1

ECO22\_part1



SerNo	PartNo	Description	Quantity
-------	--------	-------------	----------

1		Engine Body	1
2		Hanger Pin	2
3		WASHER 27	2
4	GB/T 93-1987	SPRING WASHER 27	2
5	GB/T 41-2000	NUT 27	2
6	GB/T 889.1-2000	LOCKNUT 16	2
7		Chipper Disc Weldment	1
8		Drive Shaft(H)	1
9		Bearings SNL516-613	2

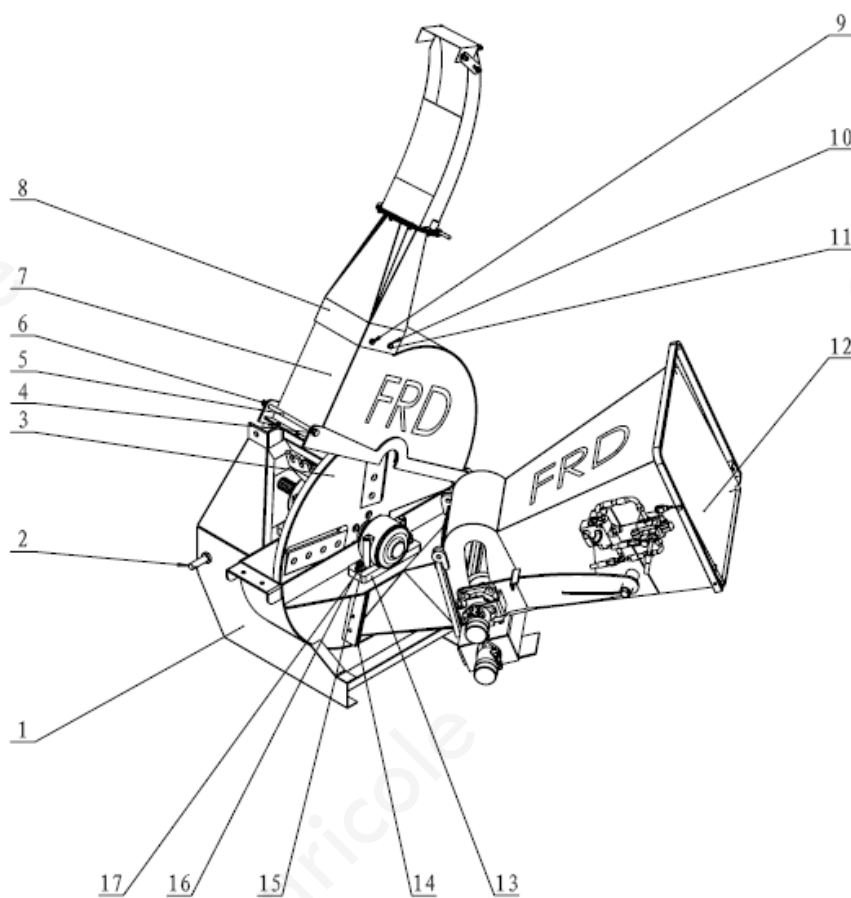
10		WASHER 20	8
11		LOCKNUT 20	10
12		LOCKNUT 12	24
13	GB/T 95-2000	WASHER 12	32
14		Upper Housing	1
15	GB/T 93-1987	SPRING WASHER 10	10
16	GB/T 5781-2000	BOLT M10×16	4
17	GB/T 97.1-2002	WASHER 10	16
18		Discharge Tube Unit For 92	1
19		Clevis	1
20		Reversing Lever	1
21		Double Roller Feeding Chute	1
22		Blade for BX-92	4
23		SCREW M12×65	16
24		Roller Cover 2	1
25		Roller Cover 1	1
26		Screws socket head M20×80	6
27		Cylinder	2
28	GB/T 5780-2000	Bolt M16×280	2
29		BOLT M20×75	4
30		ANVIL	1
31		SCREW M12×40	4
32	GB/T 5781-2000	BOLT M8×30	4
33	GB/T 6184-2000	LOCKNUT 8	4
34	GB/T 5782-2000	BOLT M10×50	2
35	GB/T 889.1-2000	LOCKNUT 10	3
36	F-TH07	ACTIVE FEEDING ROLLER(H)	1
37		BOLT M12×50	4
38	GB/T 97.1-2002	WASHER 8	8
39		Roller Cross Wall	2
40		Roller Cover	1
41		Bearing P208	2
42	GB/T 93-1987	SPRING WASHER 12	4
43	GB/T 5782-2000	BOLT M10×30	5
44	GB 825-88	Ring bolt M10×20	4
45	F-TH06	FIXED FEEDING ROLLER	1
46	GB/T 5781-2000	BOLT M10×40	4
47	F-TY-A02.P01	Hydraulic motor	2
48	GB/T 95-2000	WASHER 16	12

49	GB/T 93-1987	SPRING WASHER 16	8
50	GB/T 41-2000	NUT 16	8
51		BEARING F210	2
52	F-TY18	TENSION SPRING	4
53	GB/T 41-2000	NUT 12	4
54		BOLT M16x55	8
55		Swing Arm For BX92	1
56		Hydraulic Control Unit	1
57		BOLT M10x60	2

Sezione

2

ECO22\_part2



SerNo	PartNo	Description	Quantity
-------	--------	-------------	----------

1		Engine Body	1
2		Hanger Pin	2
3		Chipper Disc Assembly	1
4	GB/T 95-2000	WASHER 16	4
5		Bolt M16x280	2
6	GB/T 889.1-2000	LOCKNUT 16	2
7		Upper Housing	1
8		Discharge Tube Unit For 92	1

9	GB/T 93-1987	SPRING WASHER 10	4
10	GB/T 97.1-2002	WASHER 10	4
11	GB/T 5781-2000	BOLT M10x16	4
12		Feeding Chute	1
13		Bearings SNL516-613	2
14		ANVIL	1
15		LOCKNUT 20	2
16		BOLT M20x75	2
17		WASHER 20	4