

Macchina

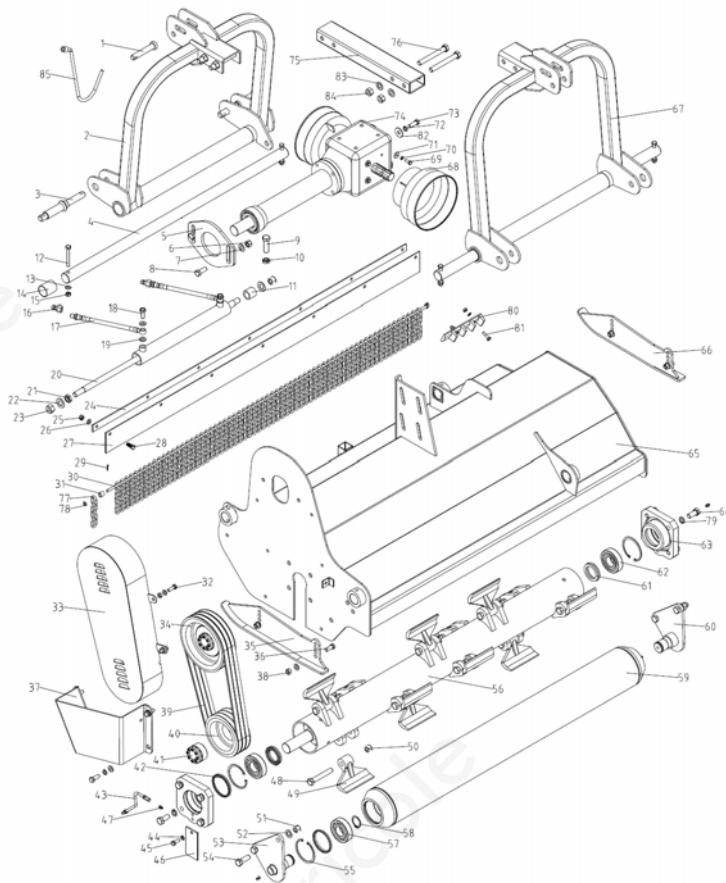
AG



Sezione

1

AG_Assembly



SerNo	PartNo	Description	Quantity
1	AGF140.109	Pin shaft	1
2	AG220.015	Hanging weldment (B)	1
3	AGF140.210	Pin for lifting	2
4	AG220.103	Guide rail	2
5	AG220.101	Adjusting plate	1
6	GB6184-86/M14	Locking nut M14	2
7	GB97.1-85/14	Plain washer 14	2
8	GB5783-86/M14X35	Bolt M14X35	2
9	GB5786/M16X1.5X55	Bolt M16X1.5X55	1

10	GB6173-86/M16x1.5	Nut M16x1.5	1
11	EFGCH125.101	Sleeve	1
12	GB5782-86/M12X110	Bolt M12X110	4
13	GB97.1-85/12	Plain washer 12	8
14	SF-2/65X70X40	Bushing 65X70X40	4
15	GB6184-86/M12	Locking nut M12	4
16	EFGCH125.013	Quick connector R1/2"	2
17	AG220.020	Oil pipe	2
18	GB3451/M12X1.25X30	Bolt M12X1.25X30	2
19	GB3451-86/12	Washer 12	4
20	AG220.019	Slippage cylinder	1
21	GB6173-86/M18X1.5	Nut M18x1.5	1
22	GB97.1-85/18	Plain washer 18	2
23	GB6184-86/M18X1.5	Locking nut M18X1.5	2
24	AGF220.206	Press plate	1
25	GB6184-86/M10	Locking nut M10	37
26	GB97.1-85/10	Plain washer 10	37
27	AGF140.208	Rubber plate	1
28	GB5783-86/M10X25	Bolt M10X25	10
29	GB/T91-2000/2.5X16	Splitpin 2.5X16	2
30	AGF140.207	Shaft for Link	1
31	AGF140.111	Sleeve	93
32	GB5783-86/M10X30	Bolt M10X30	4
33	AG220.012	Belt cover	1
34	AGF220.203	Big belt pulley	1
35	AGF140.028	Base plate (L)	1
36	GB5783-86/M12X30	Bolt M12X30	8
37	AGF140.205	Belt pulley Cover	1
38	GB6184-86/M12	Locking nut M12	4
39	GB/T1154-97/B1280	Strap SPB1280	4
40	AGF220.202	Small belt pulley	1
41	JB/T7934Z3/40X80	Swellable sleeve 40X80	2
42	GB13871-94/40X90X10	Oil seal 40X90X10	3
43	AGF140.034	Oil pipe	1
44	GB93-87/10	Spring washer 10	1
45	GB5783-86/M10X25	Bolt M10X25	10
46	AGF140.209	Fender	1
47	GB1152-89/M10X1	Oil cup M10X1	4
48	GB5785-86/M16X1.5X100	Bolt M16X1.5X100	20

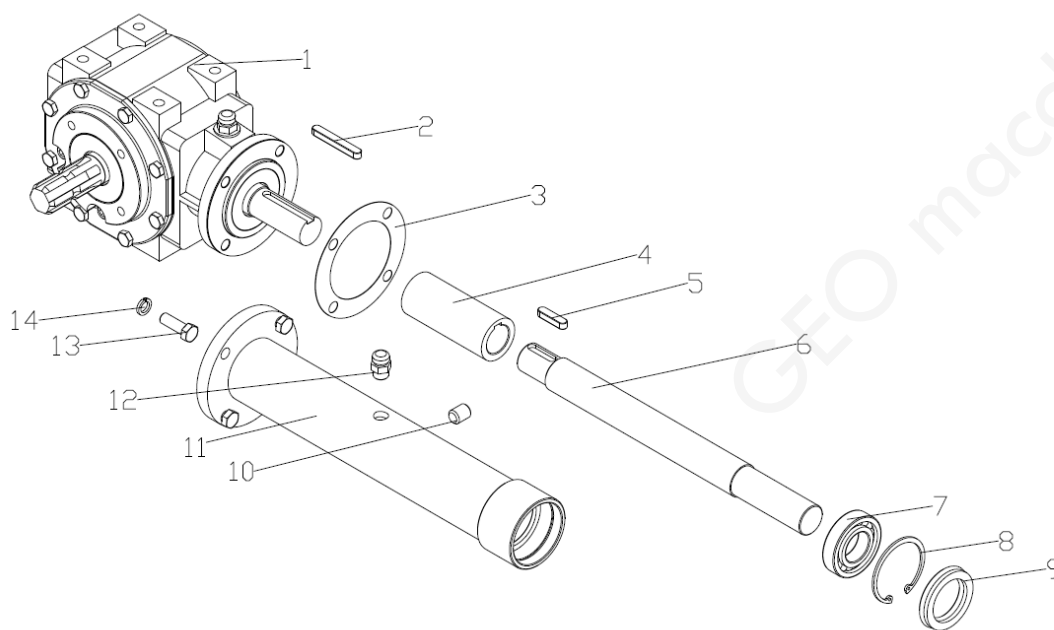
49	AGF140.103	Hammer	20
50	GB6185.2-86/M16X1.5	Locking nut M16X1.5	20
51	GB6184-86/M16	Locking nut M16	4
52	GB97.1-85/16	Plain washer 16	4
53	AGF140.033	Supporting for roller (R)	1
54	GB5783-86/16X45	Bolt M16X45	4
55	GB893.1-86/90	Circlip 90	4
56,1	AGF140.023	Blade axle weldment AGF140	1
56,2	AGF160.023	Blade axle weldment AGF160	1
56,3	AGF200.023	Blade axle weldment AGF200	1
56,4	AGF220.023	Blade axle weldment AGF220	1
57	GB/T276-94/6308	Bearing 6308	2
58	GB894.1-86/40	Circlip 40	2
59,1	AGF140.022	Roller weldment 140	1
59,2	AGF160.022	Roller weldment 160	1
59,3	AGF200.022	Roller weldment 200	1
59,4	AGF220.022	Roller weldment 220	1
60	AGF140.032	Supporting for roller (L)	1
61	GB13871-94/45X80X10	Oil seal 45X80X10	2
62	GB/T281-94/1308	Bearing1308	2
63	AGF140.104	Bearing seat	2
64	GB5783-86/M16X35	Bolt M16X35	8
65,1	AG140.011	The cover weldment AG140	1
65,2	AG160.011	The cover weldment AG160	1
65,3	AG200.011	The cover weldment AG200	1
65,4	AG220.011	The cover weldment AG220	1
66	AGF140.029	Base plate (R)	1
67	AG220.016	Hanging weldment (F)	1
68	FM150.120	Guard shade	1
69	GB5783-86/M8X20	Bolt M8X20	4
70	GB93-87/8	Spring washer 8	4
71	GB96-85/8	Plain washer 8	4
72	GB93-87/12	Spring washer 12	8
73	GB5783-86/M12X35	Bolt M12X35	4
74	AG220.013	Gear box assembly	1
75	AG220.018	Connecting tube	1
76	GB5782-86/ M24X140	Bolt M24X140	4
77	AGF140.030	Link	94
78	GB97.1-85/8	Plain washer 8	2

79	GB93-87/16	Spring washer 16	8
80	AGF140.204	Cast plate	12
81	GB5783-86/M10X35	Bolt M10X35	24
82	GB96-85/12	Plain washer 12	4
83	GB97.1-85/24	Plain washer 24	4
84	GB6184-86/M24	Locking nut M24	4
85	EFGC125.124	Hook	1

Sezione

2

AG_GearboxParts



SerNo	PartNo	Description	Quantity
1	TS50.300Z.01	Gearbox assembly	1
2	GB1096-79/A10X70	Key A10X70	1
3	EFGC125.166	Paper gasket	1
4	EFGC125.167	Connected sleeve	1
5	GB1096-79/A10X40	Key A10X40	1
6,1	AG140.102	Shaft 140	1
6,2	AG160.102	Shaft 160	1
6,3	AG200.102	Shaft 200	1
6,4	AG220.102	Shaft 220	1
7	GB/T276-94/6208	Bearing 6208	1

8	GB893.1-86/80	Circlip 80	1
9	GB13871-94/40X80X10	Oil seal 40x80x10	1
10	ZBT 32001.3-87	Retainer	1
11,1	AG140.014	Shaft tube weldment AG140	1
11,2	AG160.014	Shaft tube weldment AG160	1
11,3	AG200.014	Shaft tube weldment AG200	1
11,4	AG220.014	Shaft tube weldment AG220	1
12	EFGC125.169	Bolt of plug screw ZG3/8"-19	1
13	GB5783-86/M12X35	Bolt M12X35	4
14	GB93-87/12	Spring washer 12	12