

Macchina

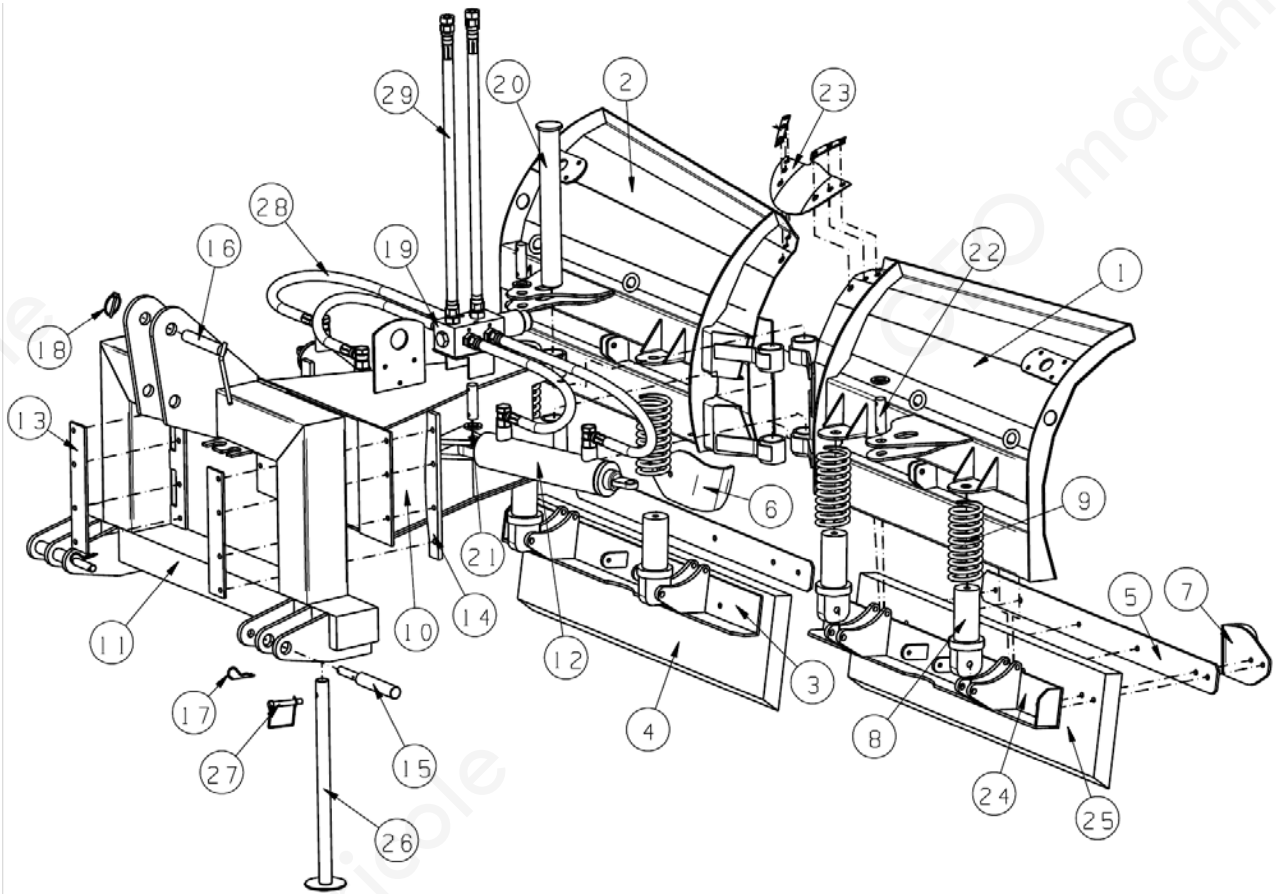
SPO



Sezione

1

SPO



SerNo	PartNo	Description	Quantity
1,1	SPO.220.1	Main Welding Left 220	1
1,2	SPO.250.1	Main Welding Left 250	1
1,3	SPO.300.1	Main Welding Left 300	1
2,1	SPO.220.2	Main Welding Right 220	1
2,2	SPO.250.2	Main Welding Right 250	1
2,3	SPO.300.2	Main Welding Right 300	1
3	SPO.3	Supporting Frame Right	1
4,1	SPO.220.4	Rubber Plate Right 220	1
4,2	SPO.250.4	Rubber Plate Right 250	1

4,3	SPO.300.4	Rubber Plate Right 300	1
5	SPO.5	Fixing Plate Left	1
6	SPO.6	Fixing Plate Right	1
7	SPO.7	Protection Cover	1
8	SPO.8	Support Spring	4
9	SPO.9	Spring	4
10	SPO.10	Main Deck	1
11	SPO.11	Three point hitch	1
12	SPO.12	Cylinder	2
13	SPO.13	Lateral Connection Plate	2
14	SPO.14	Inner Connection Plate	2
15	SPO.15	Low pin	2
16	SPO.16	Up pin	1
17	R.32	Pin	1
18	R.22	Pin	1
19	SPO.19	Electric Valve 12V	1
20	SPO.20		1
21	SPO.21	Bolt	1
22	SPO.22	Bolt	1
23	SPO.23	Middle Rubber	1
24	SPO.24	Supporting Frame Left	1
25,1	SPO.220.25	Rubber Plate Left 220	1
25,2	SPO.250.25	Rubber Plate Left 250	1
25,3	SPO.300.25	Rubber Plate Left 300	1
26	SPO.26	Supporting frame	1
27	SPO.27	elastin pin	1
28	SPO.28	Hydraulic Pipe	4
29	SPO.29	Hydraulic Pipe	2