

Macchina

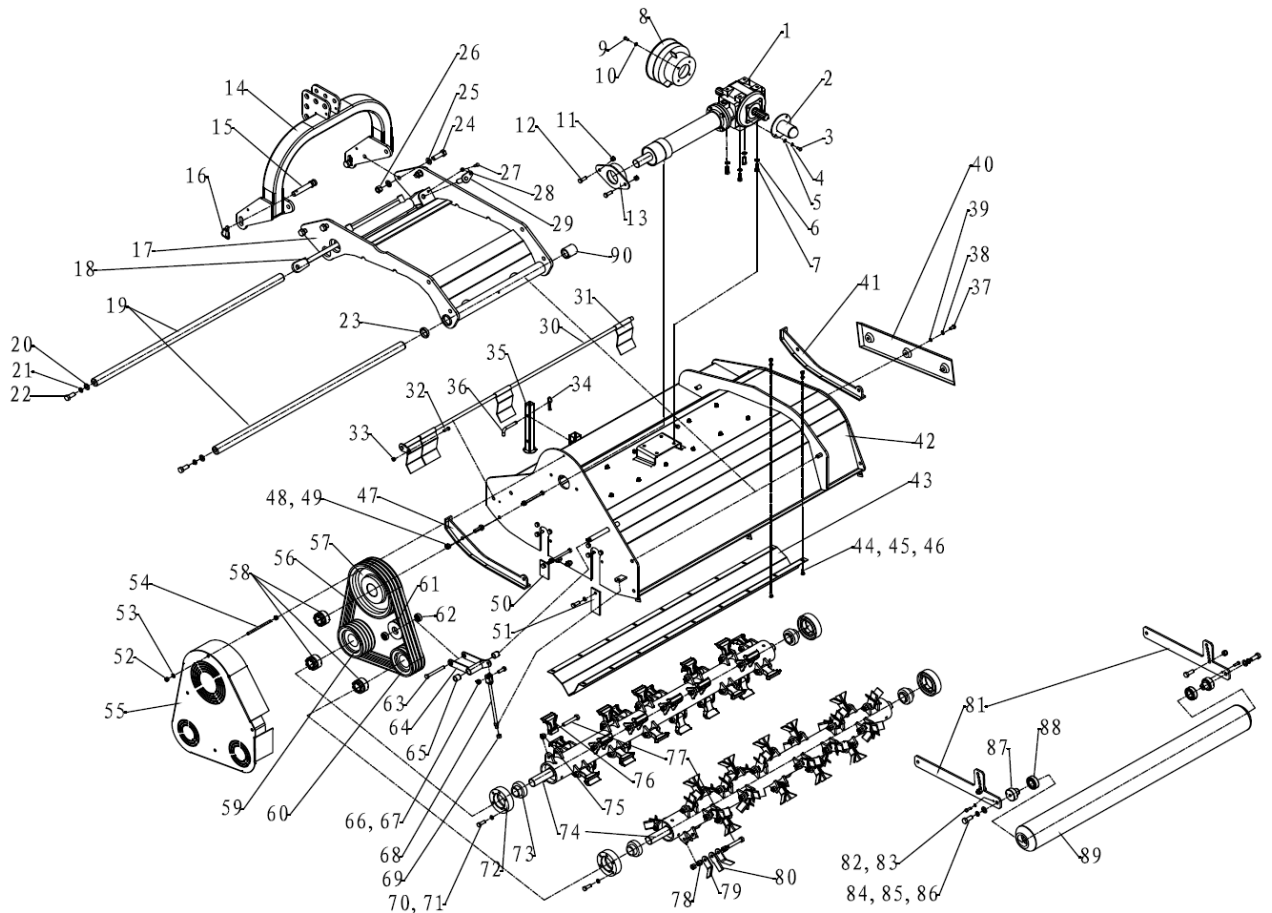
G2



Sezione

1

G2_MainAssembly



SerNo	PartNo	Description	Quantity
-------	--------	-------------	----------

1	T150.002	T150 Gearboxasmb	1
2	T150.018	Guard Wldm	1
3	GB5783	Bolt M8x16	2
4	GB93	Lock Washer 8	2
5	GB97.1	Plain Washer 8	2
6	GB93	Lock Washer 12	4
7	GB5783	Bolt M12x30	4
8	FM150.120	Cover, Driving-Line	1
9	GB5783	Bolt M8x16	4

10	GB97.1	Plain Washer 8	4
11	GB5783	Bolt M12x35	2
12	GB889.1	Lock Nut M12	2
13	T150.020	Fixed Plate, Wldm	1
14	T150.011	Hitch Frame, Wldm	1
15	T150.101	Hitch Pin, Lower	2
16	LP12	Lock Pin 12	2
17	T150.012	Slide Frame, Wldm	1
18	T150.041	Cylinder, Asmb	1
19	T150.102	Slide Way	2
20	GB97.1	Plain Washer 16	4
21	GB93	Lock Washer 16	4
22	GB5783	Bolt M16x40	4
23	AM40	Scraper Seal40x50x10	4
24	GB5783	Bolt M18x60	4
25	GB97.1	Plain Washer 18	8
26	GB889.1	Lock Nut M18	4
27	GB5783	Bolt M8x25	2
28	GB889.1	Lock Nut M8	2
29	T150.013	Pin, Cylinder	2
30	T150.016	Supporting Rod	1
31	T150.017	Baffle	15
32	GB5783	Bolt M8x25	1
33	GB889.1	Lock Nut M8	1
34	EFGC125.110	R Pin 3.2	1
35	EFGC125.111	Stabilizer	1
36	1G135.00.107	Pin	1
37	GB5783	Bolt M10x20	3
38	GB93	Lock Washer 10	3
39	GB97.1	Plain Washer 10	3
40	T150.108	Shield, Right	1
41	T150.026	Skids, Right	1
42	T150.014	Deck, Wldm	1
43	T150.123	Parting Plate	1
44	GB14	Bolt M8x20	18
45	GB97.1	Plain Washer 8	18
46	GB889.1	Lock Nut M8	18
47	T150.025	Skids, Left	1
48	GB5783	Bolt M14x40	4

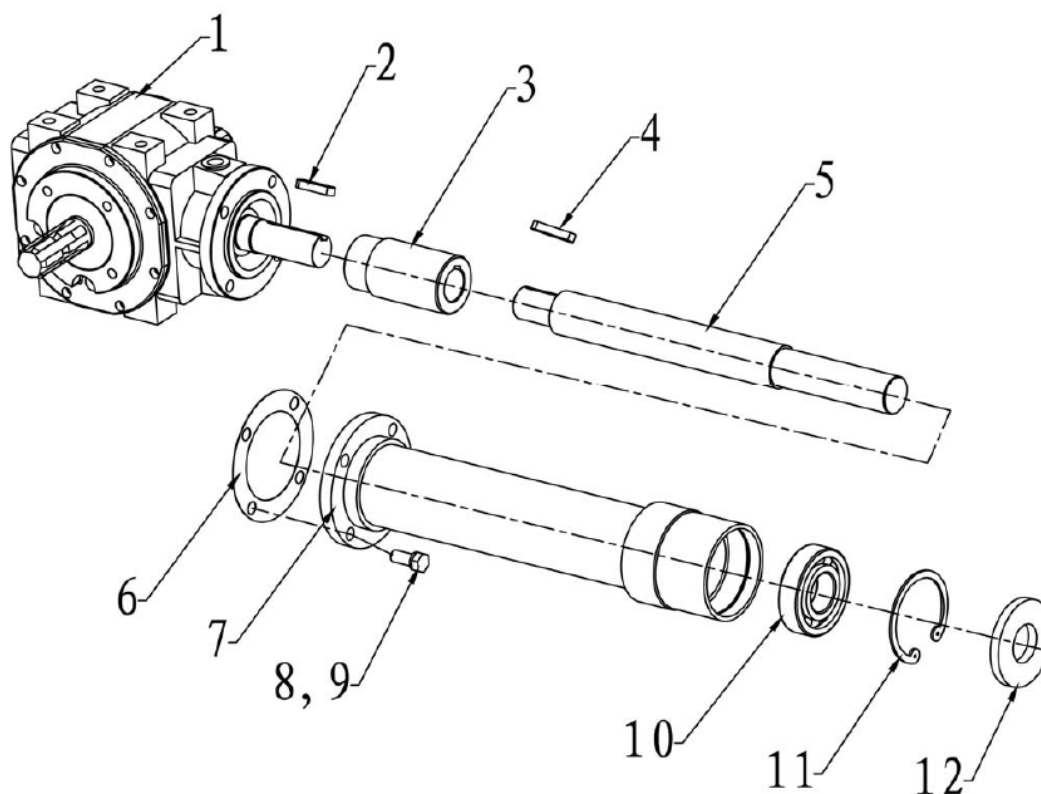
49	GB889.1	Lock Nut M14	4
50	T150.104	Close Plate, Front	1
51	T150.105	Close Plate, Rear	1
52	GB889.1	Lock Nut M10	4
53	GB97.1	Plain Washer 10	7
54	T150.111	Hread Rod	3
55	T150.015	Shield, Pulley	1
56	GB1154	V-Belt Xpb1750	4
57	T150.112	Pulley 1	1
58	REACH-Zo4	Locking device, 40x65	3
59	T150.115	Pulley 2	1
60	T150.116	Pulley 3	1
61	T150.113	Tension Pulley	1
62	GB276	Bearing 301	2
63	GB5782	Bolt M12x110	1
64	T150.021	Wheel Carrier, Wldm	1
65	T150.114	Bushing	2
66	GB889.1	Lock Nut M12	1
67	GB5783	Bolt M12x35	1
68	T150.022	Adjusting Bar	1
69	GB6170	Nut M12	2
70	GB5783	Bolt M12x35	18
71	GB93	Lock Washer 12	18
72	T150.117	Bearing Seat	4
73	GB3882	Bearing 90508	4
74,1	T150.023	Rotor, Wldm 150	1
74,2	T180.023	Rotor, Wldm 180	1
75	GB889.1	Lock Nut M14	60
76	T150.121	Hammer	30
77	GB5782	Bolt M14x85	60
78	T150.120	Spacer	60
79	T150.118	Y-Knife	60
80	T150.119	Knife Ø 14	30
81	T150.106	Supporter, Roller	2
82	GB5783	Bolt M8x25	2
83	GB93	Lock Washer 8	2
84	GB5783	Bolt M16x40	2
85	GB93	Lock Washer 16	2
86	GB97.1	Plain Washer 16	2

87	T150.122	Block	2
88	GB281	Bearing 506	2
89,1	T150.024	Roller 150	1
89,2	T180.024	Roller 180	1
90	T150.103	Bushing	4

Sezione

2

G2_Gearbox



SerNo	PartNo	Description	Quantity
-------	--------	-------------	----------

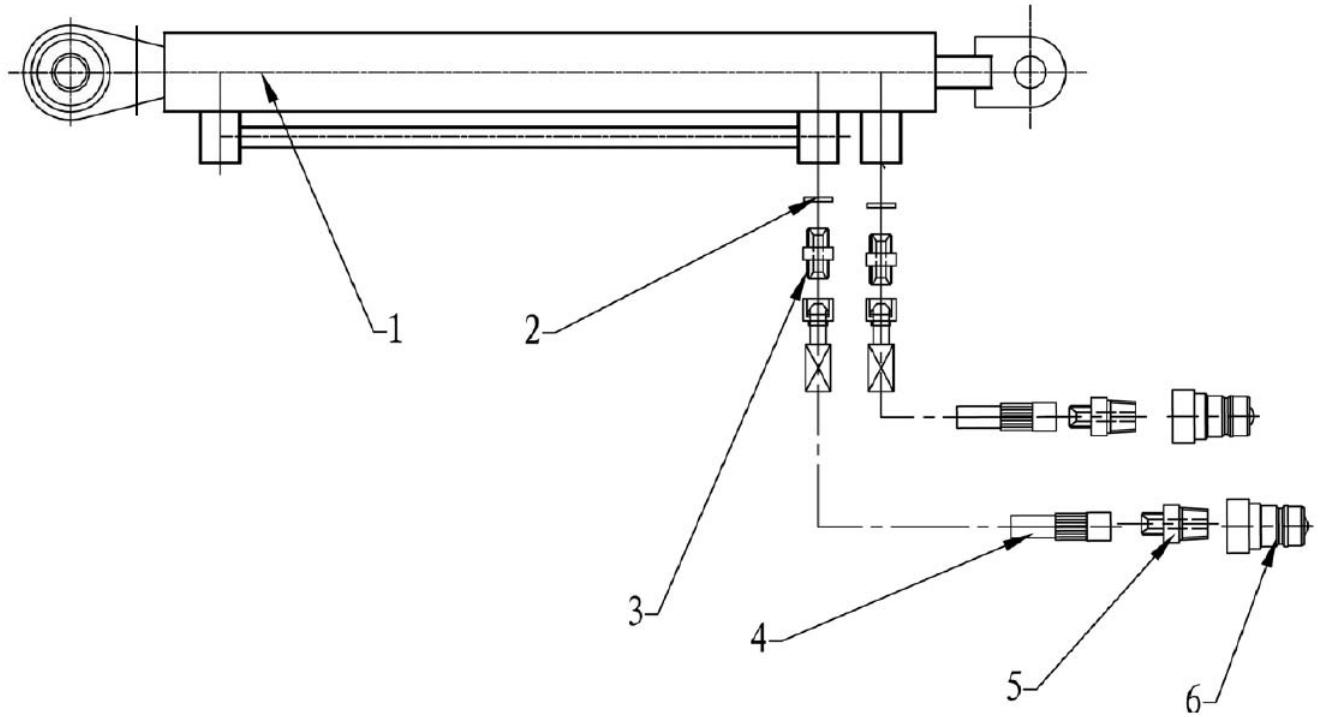
1	TS50.300Z.01	Gearbox, asmb	1
2	GB1096	Key A10x70	1
3	T150.109	Adapter sleeve	1
4	GB1096	Key A10x45	1
5,1	T150.110	Shaft 150	1
5,2	T180.110	Shaft 180	1
6	EFGC125.166	Paper washer	1
7,1	T150.019	Pipe, wldm 150	1
7,2	T150.019	Pipe, wldm 180	1
8	GB70	Screw M12x30	4
9	GB93	Lock Washer 12	4
10	GB276	Bearing 308	1

11	GB893.1	Ex-Retainer Snap	1
12	GB13871	Seal 40x90x10	1

Sezione

3

G2_Hydraulic



SerNo	PartNo	Description	Quantity
1	T150.041	Cylinder asmb	1
2	JB/ZQ4454	Combined seal 14	2
3	BH5.60.109	Fitting, 14-14	2
4	T150.042	Hose	2
5	BV160.00.114	Adapter	2
6	QC-R1/2-M	Quick joint, male	2