

Macchina

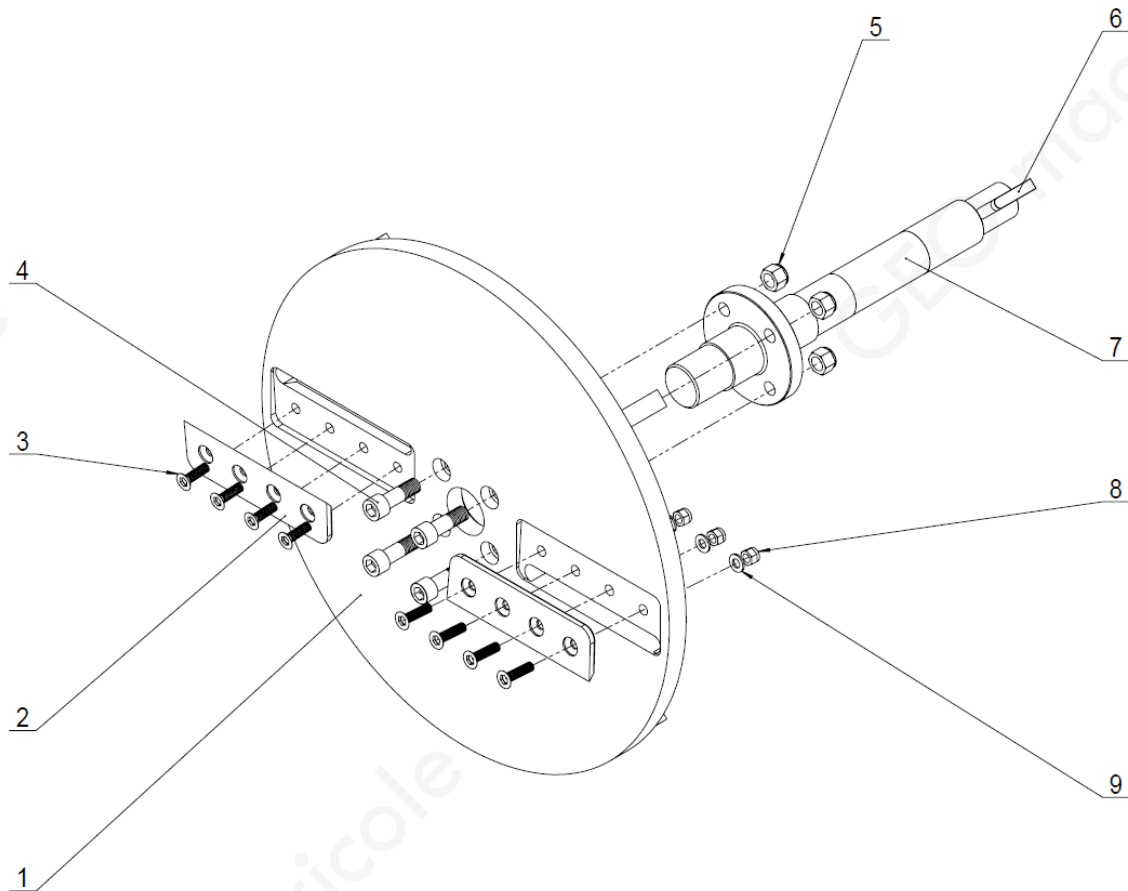
ECO17H



Sezione

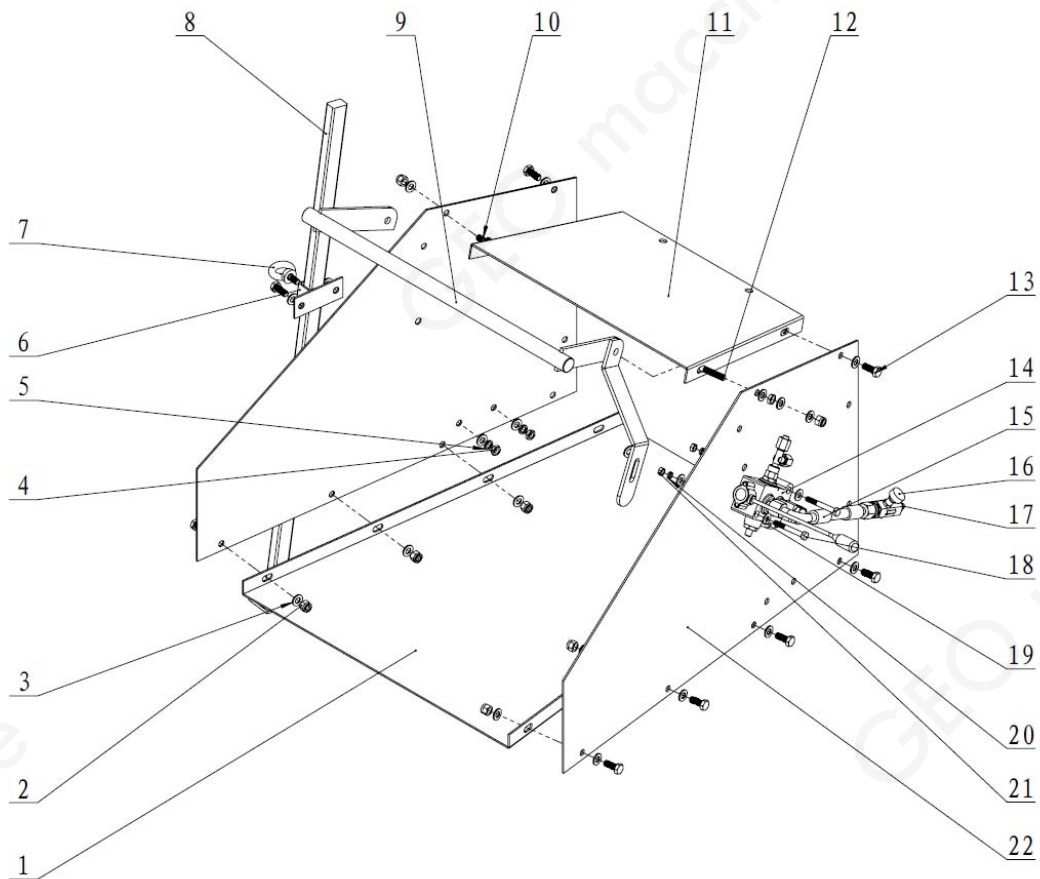
1

ECO17H\_ChipperDisk



SerNo	PartNo	Description	Quantity
1	F-TY18	CHIPPER DISK	1
2	F-TY06	Blade	2
3	GB/T68-2000	SCREW M10x40	8
4	GB/T 71-2000	Screws socket head M16x50	4
5	GB/T 889.1-2000	LOCKNUT 16	4
6	GB/T 1096-1979	Keys C12x55	1
7	F-TH07	Inner Drive Shaft(H)	1
8	GB/T 889.1-2000	LOCKNUT 10	8
9	GB/T97. 1-2002	WASHER10	8

## ECO17H\_ChuteExtension



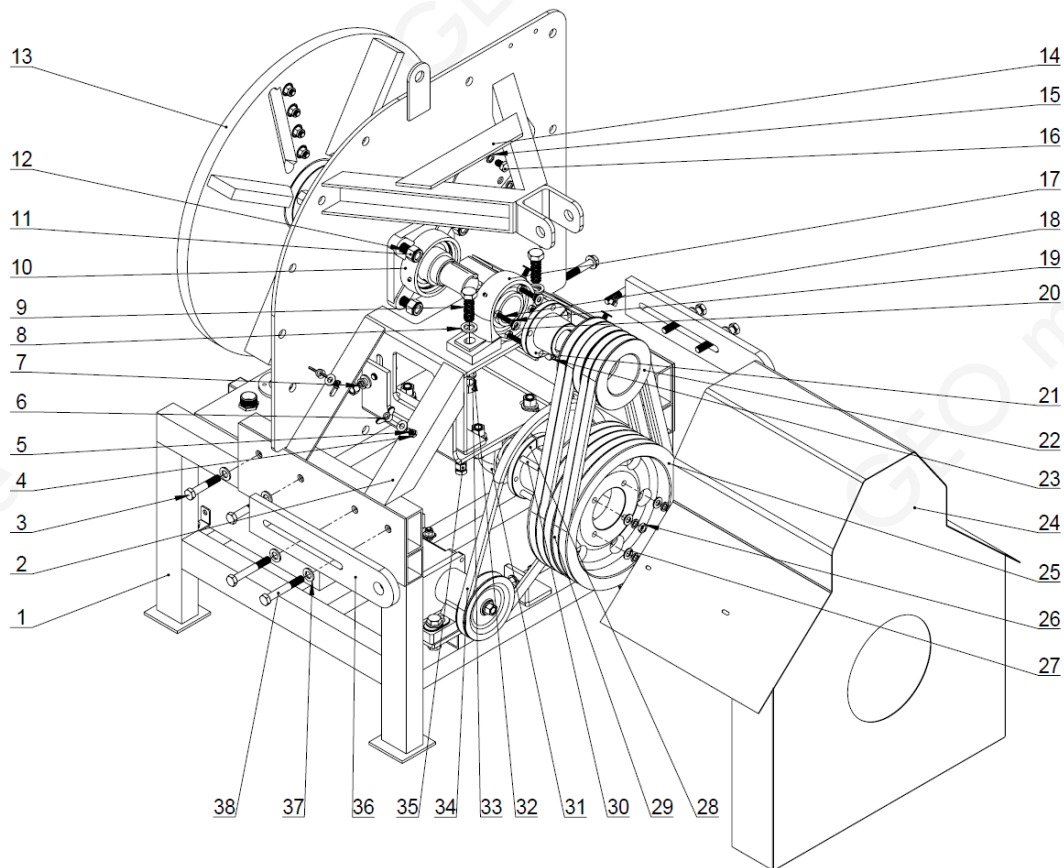
SerNo	PartNo	Description	Quantity
1		LOWER PLATE	1
2	GB/T 889.1-2000	LOCKNUT 10	12
3	GB/T 97. 1-2002	WASHER 10	32
4	GB/T 6170-2000	NUT 10	4
5	GB/T 93-1987	SPRING WASHER 10	2
6		Support bar stents	1
7		Ring bolt M10x20	1
8	F-TY17	Support Bar	1
9		Safety Bar	1
10	GB/T 5781-2000	BOLT M10x40	1
11		TOP PLATE	1
12		BOLT 10x50	1
13	GB/T 5781-2000	BOLT M10x25	12
14		REVERSING VALVE UNIT	1
15		Hydraulic tube and joint 8x200	1
16		One-way Throttle Valve	1
17		Pipe Joint 4	2

18	GB/T5781-2000	BOLT M8x60	2
19	GB/T97. 1-2002	WASHER 8	4
20	GB/T 93-1987	SPRING WASHER 8	2
21	GB/T 6170-2000	NUT 8	2
22		Side plate	2

Sezione

3

ECO17H\_DriverSystemAssembly



SerNo	PartNo	Description	Quantity
-------	--------	-------------	----------

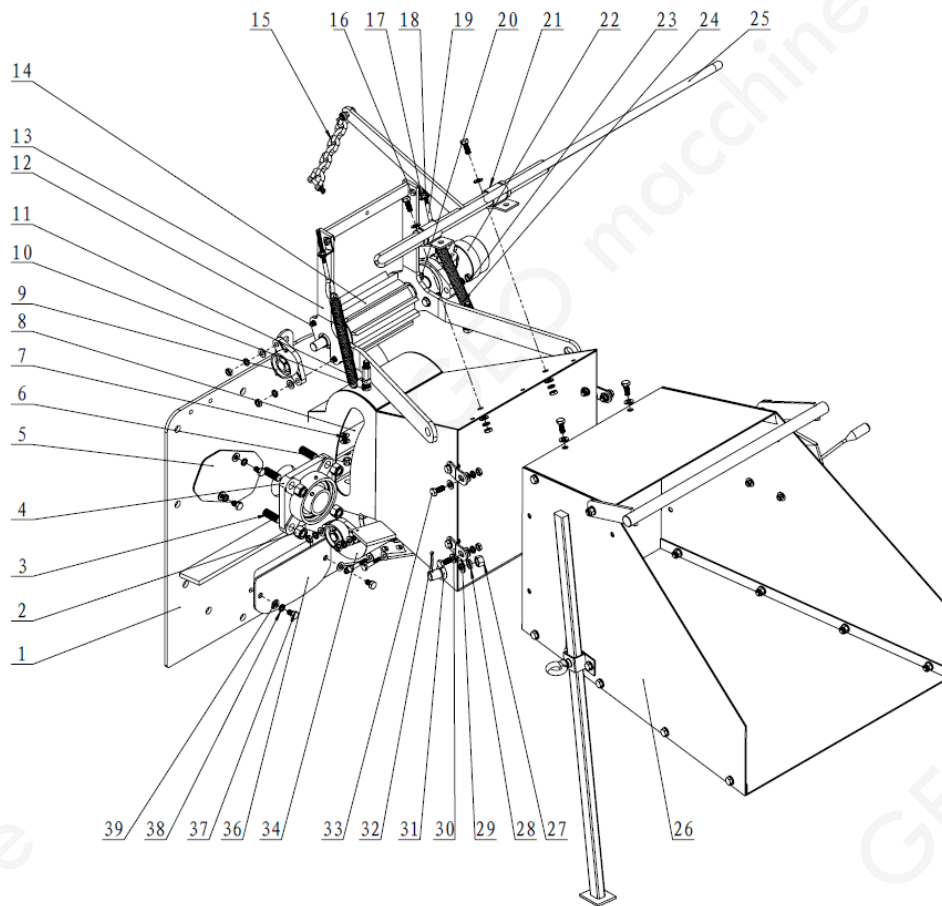
1	FRD-TH-A01.01	SUPPORTING SHELF -H	1
2	F-TY001	Drive System Support Weldment	1
3	GB/T 5782-2000	BOLT M12x65	4
4	GB/T 6170-2000	NUT 8	5
5	GB/T 5781-2000	BOLT M8x25	5
6	GB/T 62.1-2004	Butterfly Nut 8x1	4
7	GB/T 93-1987	SPRING WASHER 12	14
8	GB/T 95-2000	WASHER 16	4
9	GB/T 5782-2000	BOLT M16x50	2
10	GB/T 7810-1995	BEARING F210	1
11	GB/T 889.1-2000	LOCKNUT 16	4
12	GB/T 68-2000	SCREW M16x40	4

13	FRD-TH-A01.02	CHIPPER DISK ASSEMBLY (H)	1
14	F-TY05	BLADE REPLACE COVER	1
15	GB/T 93-1987	SPRING WASHER 10	6
16	GB/T 5781-2000	BOLT M10x16	2
17	GB/T 7810-1995	Bearing P210	1
18	GB/T 5781-2000	BOLT M8x35	4
19	GB/T 93-1987	SPRING WASHER 8	5
20	GB/T 97. 1-2002	WASHER 8	10
21	F-T06	Small Internal Swell able Sleeve	1
22	F-T07	Small Pulley	1
23	GB/T 5782-2000	BOLT M12x40	8
24		BEARING CAGE (T)	1
25	F-T09	Big Pulley	1
26	GB/T 6170-2000	NUT 10	4
27	GB/T 97. 1-2002	WASHER 10	4
28	F-T10	Big Internal Swell able Sleeve	1
29	F-TY16	BELT-B1168	4
30	GB/T 5782-2000	BOLT M10x75	4
31	FRD-TY-005	Drive input System	1
32	GB/T 93-1987	SPRING WASHER 16	2
33	GB/T 41-2000	NUT 16	2
34	F-TH04	BELT-B1092	1
35	GB/T 41-2000	NUT 12	16
36	F-TY04	FORK ARM	2
37	GB/T 95-2000	WASHER 12	28
38	GB/T 5782-2000	BOLT M12x85	4

Sezione

4

## ECO17H\_FeedingSystem



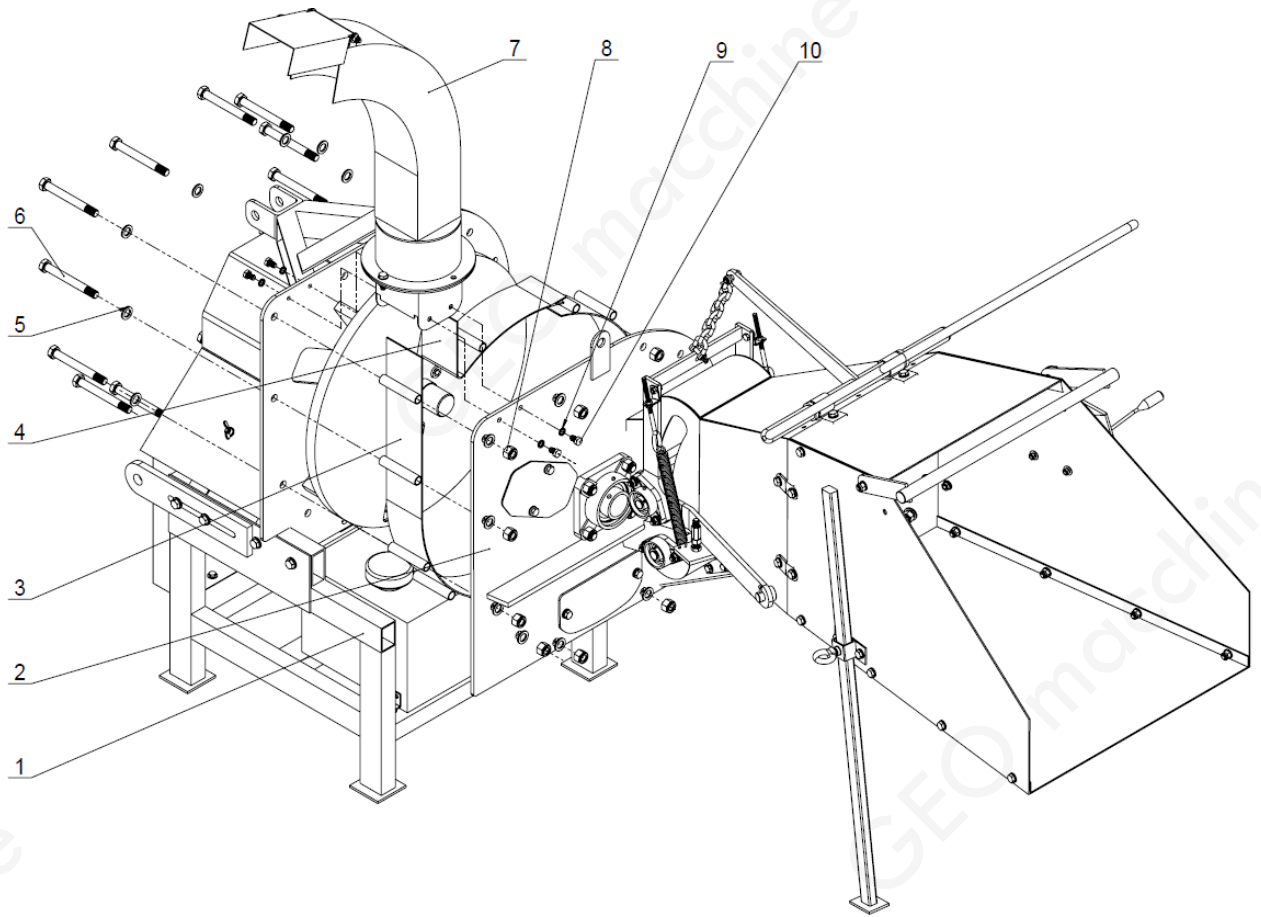
SerNo	PartNo	Description	Quantity
1		Infeeding System Surport(H)	1
2	GB/T 889.1-2000	LOCKNUT 16	4
3	GB/T 68-2000	SCREW M16×40	4
4	GB/T 7810-1995	BEARING F210	1
5	F-TY05	BLADE REPLACE COVER	1
6	GB/T 889.1-2000	LOCKNUT 10	4
7	GB/T 68-2000	SCREW M10×30	3
8	F-TY-P20	ANVIL - CounterKnife	1
9	GB/T 7810-1995	BEARING FL204	2
10	GB/T 5783-2000	Adjust Bolt M12×65	2
11	GB/T 41-2000	NUT 12	2
12	GB/T 5781-2000	BOLT M10×40	8
13	F-TH05	Hanger (TH)	1
14	F-TH06	ACTIVE FEEDING ROLLER(H)	1
15	F-TY10	Chain Assembly	1
16	GB/T 5781-2000	BOLT M8×16	2
17	F-TY09	Spring Lifting Eye	2
18	GB/T 6170-2000	NUT 8	8
19	F-TY08	STRENGTH BOLT M8×125	2

20		Key C8-40	2
21	F-TY17	Fixed set	2
22		Hydraulic motor	2
23	GB/T 6170-2000	NUT 10	20
24	F-TY-P07	TENSION SPRING	2
25	F-TY12	Feed-roller Control Bar	1
26	F-TY-A01	CHIPPER CHUTE EXTENSION(H)	1
27	GB/T 6170-2000	NUT 14	2
28	GB/T 93-1987	SPRING WASHER 14	2
29	GB/T 97. 1-2002	WASHER 14	2
30	F-TY-P13	CHUTE CONNECTION PLATE	4
31	F-TY-P14	Rotary Axis	2
32	GB/T 91-2000	PIN 4x28	2
33	GB/T 5781-2000	BOLT M10x25	12
34		ROLLER GAGE	1
35	GB/T 97. 1-2002	WASHER 8	4
36	F-TY15	CLEAR-OUT DOOR	1
37	GB/T 5781-2000	BOLT M10x16	4
38	GB/T 93-1987	SPRING WASHER 10	24
39	GB/T 97. 1-2002	WASHER 10	41
40		FIXED FEEDING ROLLER	1
41		BOLT M8x45	2
42	GB/T 93-1987	SPRING WASHER 8	2

Sezione

5

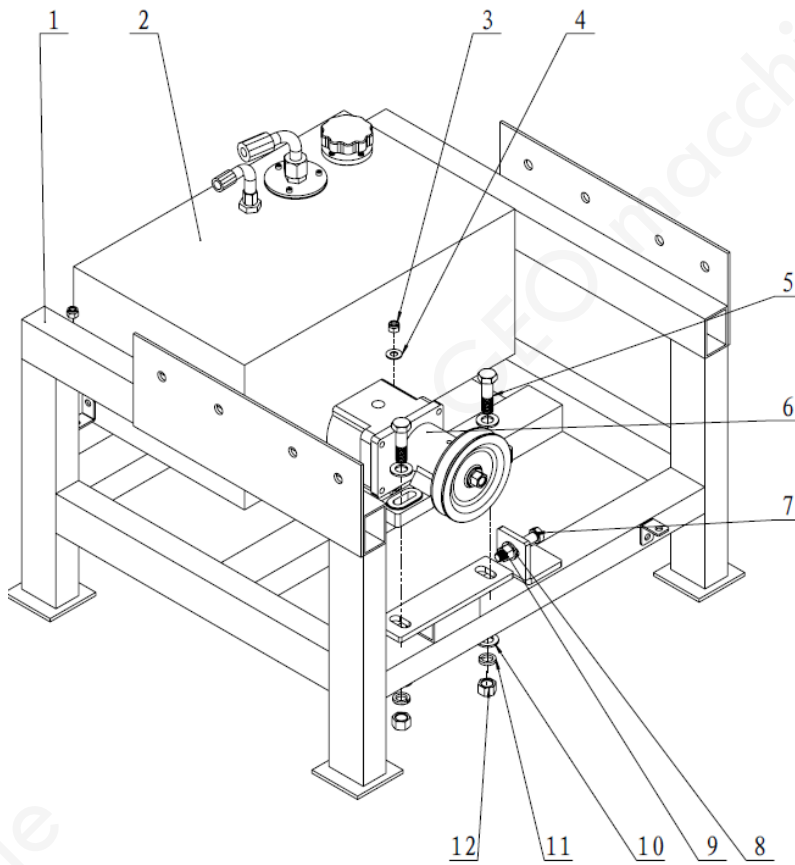
ECO17H\_MainPart



SerNo	PartNo	Description	Quantity
1	F-TH-A01	Driver Syetem Assembly(HT)	1
2	F-TH-A02	Infeeding System Assembly(HT)	1
3	F-TY01	Protective Cover Weldment	1
4	F-TY02	Protective Connected Cover Weldme	1
5	GB/T 95-2000	WASHER 16	26
6	GB/T 5782-2000	BOLT M16×140	13
7	F-TY03	Discharge Spout Assembly	1
8	GB/T 889.1-2000	LOCKNUT 16	13
9	GB/T 93-1987	SPRING WASHER 10	4
10	GB/T 5781-2000	BOLT M10×16	4

Sezione 6

### ECO17H\_SupportingShelf



SerNo	PartNo	Description	Quantity
1		SUPPORTING FRAME -H	1
2		Hydraulic fluid reservoir(T)	1
3	GB/T 6184-2000	LOCKNUT 8	3
4		WASHER 8	3
5		BOLT M14×50	2
6		PUMP ASSEMBLY	1
7	GB/T 5782-2000	BOLT M12×65	1
8	GB/T 95-2000	WASHER 12	2
9	GB/T 41-2000	NUT 12	2
10		WASHER14	4
11	GB/T 93-1987	SPRING WASHER14	2
12	GB/T 6170-2000	NUT 14	2